



Cable Management System

Metal Raceway Product Range



Metal Trunking

Trunking is an enclosure provided for the protection of cables which is normally square or rectangular in cross-section, having one removable side. Trunking may be thought of as simply a larger and more accessible conduit system. It is available in two ranges, ordinary wiring trunking and bus-bar trunking. The ordinary system is further available in either metal or PVC.

Metallic Trunking is formed from mild steel sheet, coated with grey or silver enamel paint for internal use or a hot-dipped galvanized coating where damp conditions might be encountered.

Metal trunking is used extensively in engineering premises. It allows a large number of cables to be drawn into one system with relative ease and because of its accessibility enables changes or additions to circuits to be made with the minimum of effort. As with conduit, it is available either painted or galvanized. A whole range of fittings is available, enabling the most difficult runs to be constructed. It is available in many different sizes and designs. For example, compartment trunking allows the segregation of certain currents, and support of cables in vertical runs.





Kruppsmetal Corporation (Krupps trunking system) offers a wide range of standard trunkings, single or multi compartment. In the electrical servicing sector these types are known as trunkings and it has the maximum standard width of 6" or 150mm. Mostly it is used to small type of cables, which passes through this trunkings, and it does not have any ventilation for the cables.

All the single compartment trunkings are manufactured as per BS standard 4678-part1:1978 class 2 & 3 to galvanized steel BS 10142 -1991 & BS EN 10143 -1993. These trunkings are manufactured in two gauges, the standard gauge is heavy gauge and we keep them in stock at any time. The other one is very heavy gauge. We manufacture this as per our valued customer's specification.

KTS single & Multi compartment trunking is supplied in three meters length and it is supplied with complete short sleeved coupler and all the necessary fixing screws. These trunkings are very easy for installation as the quick release lid runs to the full length of the trunking, and all the accessories are custom designed which eliminates on site fabrication and minimize the installation time and it generates profit.

All our standard trunkings are in 3meters length unless otherwise specified and the maximum is 6meters length. All our trunking covers are turn buckle system unless otherwise specified.

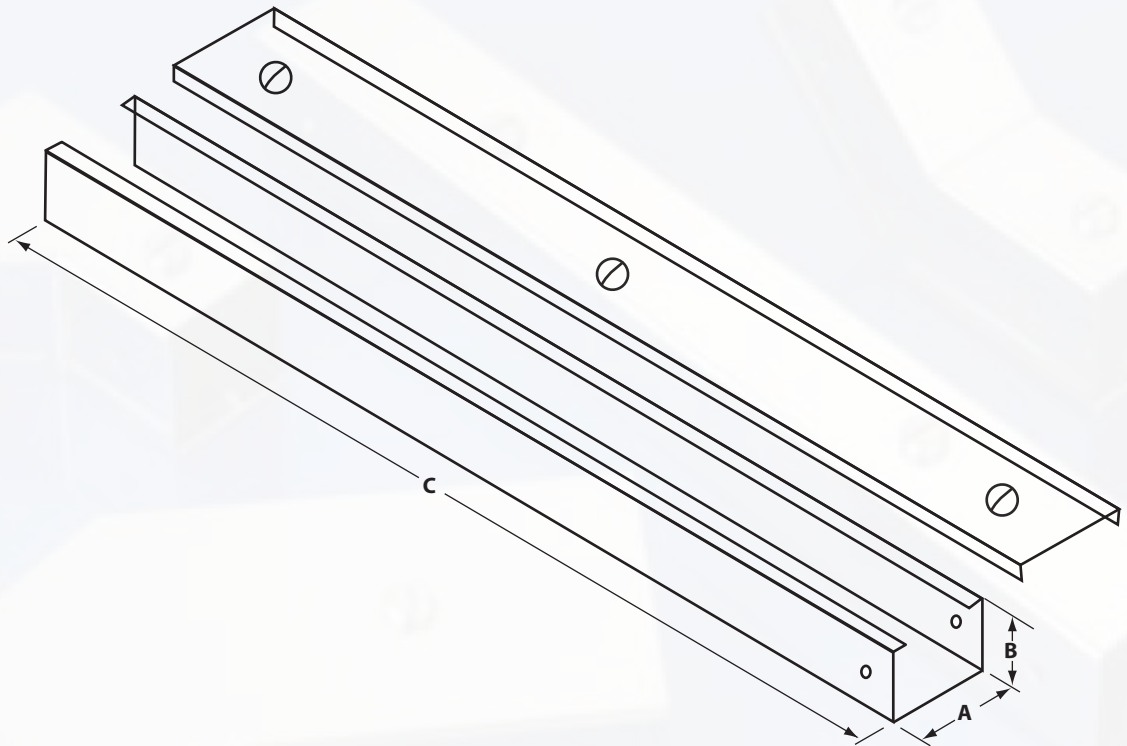
British standard confers with BS4678- Part 1 - 1978 Class 2 & 3 (Unless otherwise Stated)

Material: Hot dip Galvanized sheet steel to BS EN 10142:1991, FE P02GZ275NAC & BS EN 10143:1993.

Finish: Self colour galvanized sheet steel to FE P02GZ275NAC confers with BS4678 Part 1 class3 - Heavy protection against corrosion. Other than the above specified specification KMC can manufacture trunking system from the following materials below listed.

1. Epoxy Powder coated (After Hot Dip Galvanizing) to BS or In Ral colours
2. Hot Dip Galvanized to BS EN 1461:1999(E)
3. Zinc coated steel
4. Aluminium
5. Stainless steel Grade SS304, SS316 & SS316L to BS EN 10088-2/2001
6. Weather proof trunkings (IP65) range

Kruppsmetal Corporation's cable management system is world renowned and it is very much used in all most all the prestigious projects around the world. The cable management system is in three types it starts with Flush Floor Trunking, Under Floor Trunking System and then the last is Raised Floor Trunking

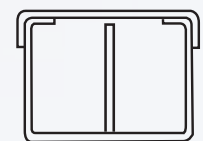


Model		A	B	C	Body Thick	Cover Thick	Finish
Single	Dual						
KT22	KT222	50mm	50mm	3000mm	1.2mm	1.2mm	Pregalvanized, Hot dipped Galvanized, Epoxy Coated Aluminium & Stainless Steel
KT32	KT232	50mm	75mm	3000mm	1.2mm	1.2mm	
KT33	KT233	75mm	75mm	3000mm	1.2mm	1.2mm	
KT42	KT242	50mm	100mm	3000mm	1.2mm	1.2mm	
KT43	KT243	75mm	100mm	3000mm	1.2mm	1.2mm	
KT44	KT244	100mm	100mm	3000mm	1.5mm	1.5mm	
KT63	KT263	75mm	150mm	3000mm	1.5mm	1.5mm	
KT64	KT264	100mm	150mm	3000mm	1.5mm	1.5mm	
KT66	KT266	150mm	150mm	3000mm	1.5mm	1.5mm	
KT84	KT284	100mm	200mm	3000mm	1.5mm	1.5mm	
KT86	KT286	150mm	200mm	3000mm	1.5mm	1.5mm	
KT88	KT288	200mm	200mm	3000mm	1.5mm	1.5mm	

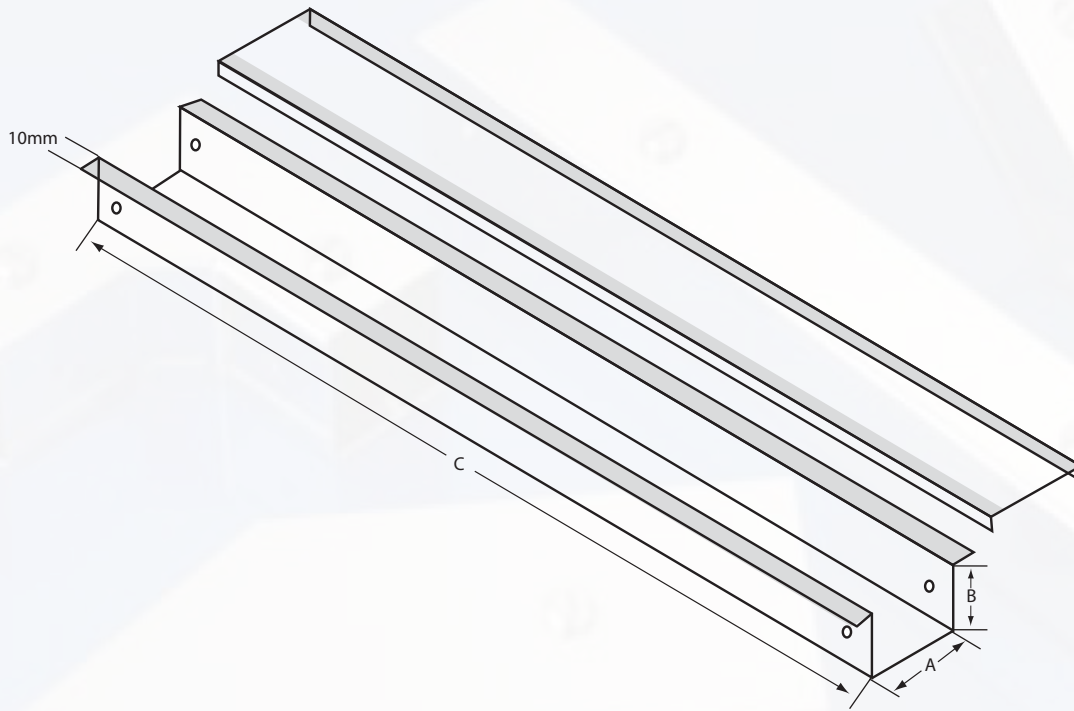
PG - Pregalvanized as per BSEN 10142 & BS 4678 Part I Type II (1971)
 HDG - Hot Dip Galvanized as per BS EN ISO1461/ 1999 (formerly BS729)
 SS36 - Stainless Steel GRADE 316L complying with BS EN 10088-2/2001
 SS34 - Stainless Steel GRADE 304
 EP - Epoxy Powder Coated in RAL Colours
 Al - Aluminium
 PC - PVC Coated



Surface Trunking

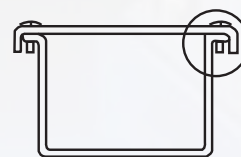


Dual Compartment Trunking

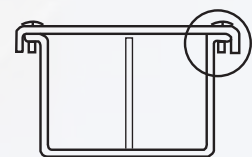


Model		A	B	C	Body Thick	Cover Thick	Finish
Single	Dual						
KTW22	KT2W22	50mm	50mm	3000mm	1.5mm	1.5mm	Pregalvanized, Hot dipped Galvanized, Epoxy Coated Aluminium & Stainless Steel
KTW32	KT2W32	50mm	75mm	3000mm	1.5mm	1.5mm	
KTW33	KT2W33	75mm	75mm	3000mm	1.5mm	1.5mm	
KTW42	KT2W42	50mm	100mm	3000mm	1.5mm	1.5mm	
KTW43	KT2W43	75mm	100mm	3000mm	1.5mm	1.5mm	
KI W44	KI 2W44	100mm	100mm	3000mm	1.5mm	1.5mm	
KTW63	KT2W63	75mm	150mm	3000mm	1.5mm	1.5mm	
KTW64	KT2W64	100mm	150mm	3000mm	1.5mm	1.5mm	
KTW66	KT2W66	150mm	150mm	3000mm	1.5mm	1.5mm	
KTW84	KT2W84	100mm	200mm	3000mm	2mm	2mm	
KTW86	KT2W86	150mm	200mm	3000mm	2mm	2mm	
KTW88	KT2W88	200mm	200mm	3000mm	2mm	2mm	

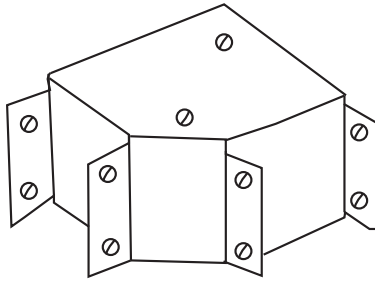
PG - Pregalvanized as per BSEN 10142 & BS 4678 Part I Type II (1971)
 HDG - Hot Dip Galvanized as per BS EN ISO1461/ 1999 (formerly BS729)
 SS36 - Stainless Steel GRADE 316L complying with BS EN 10088-2/2001
 SS34 - Stainless Steel GRADE 304
 EP - Epoxy Powder Coated in RAL Colours
 Al - Aluminium
 PC - PVC Coated



Weatherproof Trunking

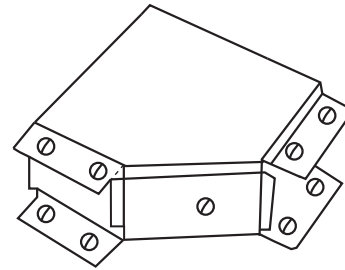


Weatherproof Dual compartment Trunking



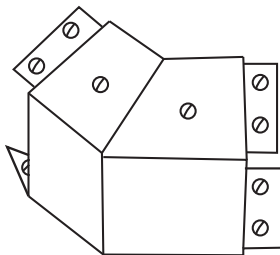
90° Bend Top Cover

Model		Size
Single	Dual	
KTBT2290	K2TBT2290	50x50
KTBT3290	K2TBT3290	75x50
KTBT3390	K2TBT3390	75x75
KTBT4290	K2TBT4290	100x50
KTBT4390	K2TBT4390	100x75
KTBT4490	K2TBT4490	100x100
KTBT6390	K2TBT6390	150x75
KTBT6490	K2TBT6490	150x100
KTBT6690	K2TBT6690	150x150
KTBT8490	K2TBT8490	200x100
KTBT8690	K2TBT8690	200x150
KTBT8890	K2TBT8890	200x200



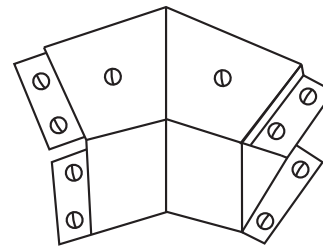
90° Bend Internal Cover

Model		Size
Single	Dual	
KTBI2290	K2TBI2290	50x50
KTBI3290	K2TBI3290	75x50
KTBI3390	K2TBI3390	75x75
KTBI4290	K2TBI4290	100x50
KTBI4390	K2TBI4390	100x75
KTBI4490	K2TBI4490	100x100
KTBI6390	K2TBI6390	150x75
KTBI6490	K2TBI6490	150x100
KTBI6690	K2TBI6690	150x150
KTBI8490	K2TBI8490	200x100
KTBI8690	K2TBI8690	200x150
KTBI8890	K2TBI8890	200x200



45° Bend External Top Cover

Model		Size
Single	Dual	
KEBT2245	K2EBT2245	50x50
KEBT3245	K2EBT3245	75x50
KEBT3345	K2EBT3345	75x75
KEBT4245	K2EBT4245	100x50
KEBT4345	K2EBT4345	100x75
KEBT4445	K2EBT4445	100x100
KEBT6345	K2EBT6345	150x75
KEBT6445	K2EBT6445	150x100
KEBT6645	K2EBT6645	150x150
KEBT8445	K2EBT8445	200x100
KEBT8645	K2EBT8645	200x150
KEBT8845	K2EBT8845	200x200



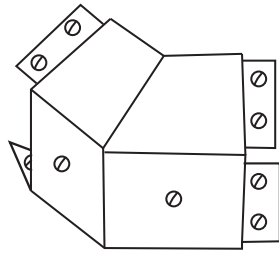
45° Bend Internal Top Cover

Model		Size
Single	Dual	
KIBI2245	K2IBI2245	50x50
KIBI3245	K2IBI3245	75x50
KIBI3345	K2IBI3345	75x75
KIBI4245	K2IBI4245	100x50
KIBI4345	K2IBI4345	100x75
KIBI4445	K2IBI4445	100x100
KIBI6345	K2IBI6345	150x75
KIBI6445	K2IBI6445	150x100
KIBI6645	K2IBI6645	150x150
KIBI8445	K2IBI8445	200x100
KIBI8645	K2IBI8645	200x150
KIBI8845	K2IBI8845	200x200

Dimension in Millimeter

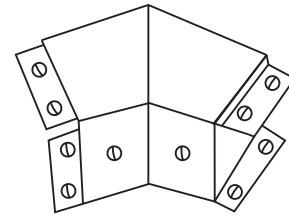
Finish : HDG-Hot Dip Galvanized PG - Pre Galvanized AI - Aluminum Alloy - SS34 (SS304 Grade), SS36 (SS316 Grade)
 EP - Epoxy Coated PC - PVC Coated

When ordering please Indicate Material and Finish. We also supply other sizes as per the clients requirement.



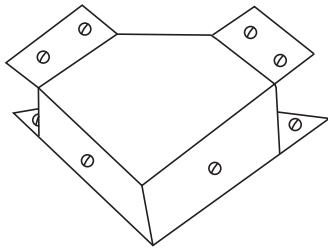
45° Bend External Side Cover

Model		Size
Single	Dual	
KEBS2245	K2EBS2245	50x50
KEBS3245	K2EBS3245	75x50
KEBS3345	K2EBS3345	75x75
KEBS4245	K2EBS4245	100x50
KEBS4345	K2EBS4345	100x75
KEBS4445	K2EBS4445	100x100
KEBS6345	K2EBS6345	150x75
KEBS6445	K2EBS6445	150x100
KEBS6645	K2EBS6645	150x150
KEBS8445	K2EBS8445	200x100
KEBS8645	K2EBS8645	200x150
KEBS8845	K2EBS8845	200x200



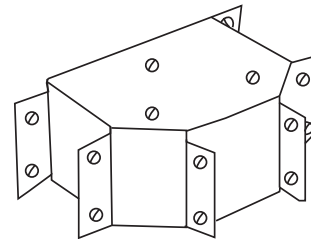
45° Bend Internal Side Cover

Model		Size
Single	Dual	
KIBS2245	K2IBS2245	50x50
KIBS3245	K2IBS3245	75x50
KIBS3345	K2IBS3345	75x75
KIBS4245	K2IBS4245	100x50
KIBS4345	K2IBS4345	100x75
KIBS4445	K2IBS4445	100x100
KIBS6345	K2IBS6345	150x75
KIBS6445	K2IBS6445	150x100
KIBS6645	K2IBS6645	150x150
KIBS8445	K2IBS8445	200x100
KIBS8645	K2IBS8645	200x150
KIBS8845	K2IBS8845	200x200



90° Bend External Side Cover

Model		Size
Single	Dual	
KEBS2290	K2EBS2290	50x50
KEBS3290	K2EBS3290	75x50
KEBS3390	K2EBS3390	75x75
KEBS4290	K2EBS4290	100x50
KEBS4390	K2EBS4390	100x75
KEBS4490	K2EBS4490	100x100
KEBS6390	K2EBS6390	150x75
KEBS6490	K2EBS6490	150x100
KEBS6690	K2EBS6690	150x150
KEBS8490	K2EBS8490	200x100
KEBS8690	K2EBS8690	200x150
KEBS8890	K2EBS8890	200x200



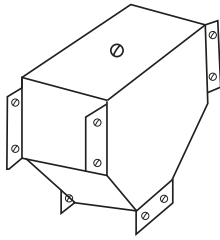
Tee Top Cover

Model		Size
Single	Dual	
KTTC22	K2TTC22	50x50
KTTC32	K2TTC32	75x50
KTTC33	K2TTC33	75x75
KTTC42	K2TTC42	100x50
KTTC43	K2TTC43	100x75
KTTC44	K2TTC44	100x100
KTTC63	K2TTC63	150x75
KTTC64	K2TTC64	150x100
KTTC66	K2TTC66	150x150
KTTC84	K2TTC84	200x100
KTTC86	K2TTC86	200x150
KTTC88	K2TTC88	200x200

Dimension in Millimeter

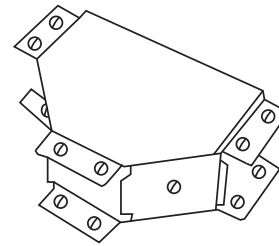
Finish : HDG-Hot Dip Galvanized PG - Pre Galvanized Al - Aluminum Alloy - SS34 (SS304 Grade), SS36 (SS316 Grade)
 EP - Epoxy Coated PC - PVC Coated

When ordering please Indicate Material and Finish. We also supply other sizes as per the clients requirement.



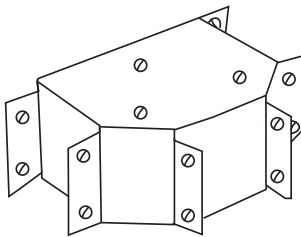
External Tee

Model		Size
Single	Dual	
KETTC22	K2ETTC22	50x50
KETBI32	K2ETTC32	75x50
KETBI33	K2ETTC33	75x75
KETBI42	K2ETTC42	100x50
KETBI43	K2ETTC43	100x75
KETBI44	K2ETTC44	100x100
KETBI63	K2ETTC63	150x75
KETBI64	K2ETTC64	150x100
KETBI66	K2ETTC66	150x150
KETBI84	K2ETTC84	200x100
KETBI86	K2ETTC86	200x150
KETBI88	K2ETTC88	200x200



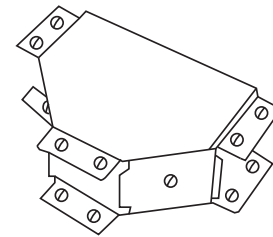
Tee Internal Cover

Model		Size
Single	Dual	
KITSC22	K2ITSC22	50x50
KITSC32	K2ITSC32	75x50
KITSC33	K2ITSC33	75x75
KITSC42	K2ITSC42	100x50
KITSC43	K2ITSC43	100x75
KITSC44	K2ITSC44	100x100
KITSC63	K2ITSC63	150x75
KITSC64	K2ITSC64	150x100
KITSC66	K2ITSC66	150x150
KITSC84	K2ITSC84	200x100
KITSC86	K2ITSC86	200x150
KITSC88	K2ITSC88	200x200



Un Equal Tee Top Cover

Model		Size
Single	Dual	
KUTTC22	K2UTTC22	50x50
KUTBI32	K2UTTC32	75x50
KUTBI33	K2UTTC33	75x75
KUTBI42	K2UTTC42	100x50
KUTBI43	K2UTTC43	100x75
KUTBI44	K2UTTC44	100x100
KUTBI63	K2UTTC63	150x75
KUTBI64	K2UTTC64	150x100
KUTBI66	K2UTTC66	150x150
KUTBI84	K2UTTC84	200x100
KUTBI86	K2UTTC86	200x150
KUTBI88	K2UTTC88	200x200



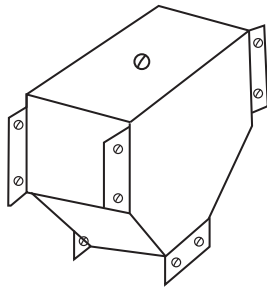
Un Equal Tee Internal Cover

Model		Size
Single	Dual	
KUITS22	K2UITS22	50x50
KUITS32	K2UITS32	75x50
KUITS33	K2UITS33	75x75
KUITS42	K2UITS42	100x50
KUITS43	K2UITS43	100x75
KUITS44	K2UITS44	100x100
KUITS63	K2UITS63	150x75
KUITS64	K2UITS64	150x100
KUITS66	K2UITS66	150x150
KUITS84	K2UITS84	200x100
KUITS86	K2UITS86	200x150
KUITS88	K2UITS88	200x200

Dimension in Millimeter

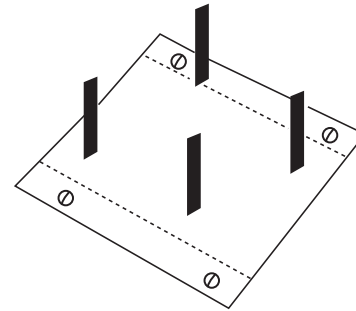
Finish : HDG-Hot Dip Galvanized PG - Pre Galvanized AI - Aluminum Alloy - SS34 (SS304 Grade), SS36 (SS316 Grade)
 EP - Epoxy Coated PC - PVC Coated

When ordering please Indicate Material and Finish. We also supply other sizes as per the clients requirement.

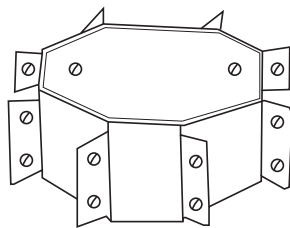


Un Equal External Tee

Model		Size
Single	Dual	
KUETC22	K2UETC22	50x50
KUETC32	K2UETC32	75x50
KUETC33	K2UETC33	75x75
KUETC42	K2UETC42	100x50
KUETC43	K2UETC43	100x75
KUETC44	K2UETC44	100x100
KUETC63	K2UETC63	150x75
KUETC64	K2UETC64	150x100
KUETC66	K2UETC66	150x150
KUETC84	K2UETC84	200x100
KUETC86	K2UETC86	200x150
KUETC88	K2UETC88	200x200

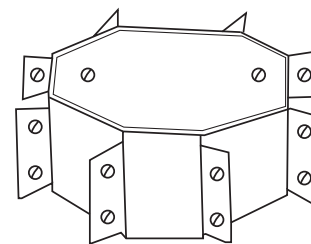


Pin Rack



Equal Cross

Model		Size
Single	Dual	
KEC22	K2EC22	50x50
KEC32	K2EC32	75x50
KEC33	K2EC33	75x75
KEC42	K2EC42	100x50
KEC43	K2EC43	100x75
KEC44	K2EC44	100x100
KEC63	K2EC63	150x75
KEC64	K2EC64	150x100
KEC66	K2EC66	150x150
KEC84	K2EC84	200x100
KEC86	K2EC86	200x150
KEC88	K2EC88	200x200



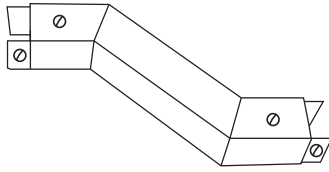
Un Equal Cross

Model		Size
Single	Dual	
KUEC22	K2UEC22	50x50
KUEC32	K2UEC32	75x50
KUEC33	K2UEC33	75x75
KUEC42	K2UEC42	100x50
KUEC43	K2UEC43	100x75
KUEC44	K2UEC44	100x100
KUEC63	K2UEC63	150x75
KUEC64	K2UEC64	150x100
KUEC66	K2UEC66	150x150
KUEC84	K2UEC84	200x100
KUEC86	K2UEC86	200x150
KUEC88	K2UEC88	200x200

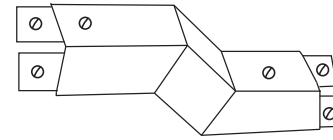
Dimension in Millimeter

Finish : HDG-Hot Dip Galvanized PG - Pre Galvanized AI - Aluminum Alloy - SS34 (SS304 Grade), SS36 (SS316 Grade)
 EP - Epoxy Coated PC - PVC Coated

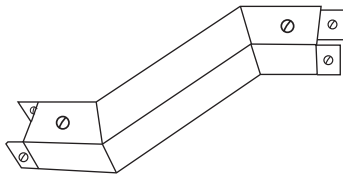
When ordering please Indicate Material and Finish. We also supply other sizes as per the clients requirement.


Left Offset Horizontal

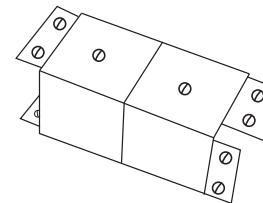
Model		Size
Single	Dual	
KLOH22	K2LOH22	50x50
KLOH32	K2LOH32	75x50
KLOH33	K2LOH33	75x75
KLOH42	K2LOH42	100x50
KLOH43	K2LOH43	100x75
KLOH44	K2LOH44	100x100
KLOH63	K2LOH63	150x75
KLOH64	K2LOH64	150x100
KLOH66	K2LOH66	150x150
KLOH84	K2LOH84	200x100
KLOH86	K2LOH86	200x150
KLOH88	K2LOH88	200x200


Left Offset Vertical

Model		Size
Single	Dual	
KLOV22	K2LOV22	50x50
KLOV32	K2LOV32	75x50
KLOV33	K2LOV33	75x75
KLOV42	K2LOV42	100x50
KLOV43	K2LOV43	100x75
KLOV44	K2LOV44	100x100
KLOV63	K2LOV63	150x75
KLOV64	K2LOV64	150x100
KLOV66	K2LOV66	150x150
KLOV84	K2LOV84	200x100
KLOV86	K2LOV86	200x150
KLOV88	K2LOV88	200x200


Right Offset Horizontal

Model		Size
Single	Dual	
KROH22	K2ROH22	50x50
KROH32	K2ROH32	75x50
KROH33	K2ROH33	75x75
KROH42	K2ROH42	100x50
KROH43	K2ROH43	100x75
KROH44	K2ROH44	100x100
KROH63	K2ROH63	150x75
KROH64	K2ROH64	150x100
KROH66	K2ROH66	150x150
KROH84	K2ROH84	200x100
KROH86	K2ROH86	200x150
KROH88	K2ROH88	200x200

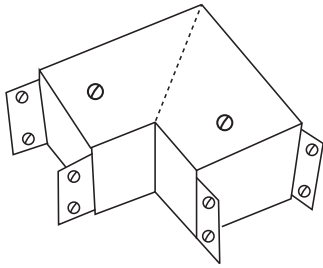

Offset Face Unit

Model		Size
Single	Dual	
KOFU22	K2ROH22	50x50
KOFU32	K2ROH32	75x50
KOFU33	K2ROH33	75x75
KOFU42	K2ROH42	100x50
KOFU43	K2ROH43	100x75
KOFU44	K2ROH44	100x100
KOFU63	K2ROH63	150x75
KOFU64	K2ROH64	150x100
KOFU66	K2ROH66	150x150
KOFU84	K2ROH84	200x100
KOFU86	K2ROH86	200x150
KOFU88	K2ROH88	200x200

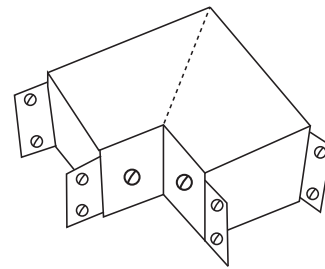
Dimension in Millimeter

Finish : HDG-Hot Dip Galvanized PG - Pre Galvanized AI - Aluminum Alloy - SS34 (SS304 Grade), SS36 (SS316 Grade)
 EP - Epoxy Coated PC - PVC Coated

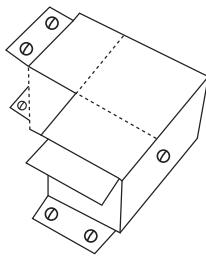
When ordering please Indicate Material and Finish. We also supply other sizes as per the clients requirement.


90° Flat Bend Top Cover

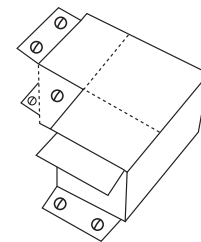
Model		Size
Single	Dual	
KFBTC2290	K2FBTC2290	50x50
KFBTC3290	K2FBTC3290	75x50
KFBTC3390	K2FBTC3390	75x75
KFBTC4290	K2FBTC4290	100x50
KFBTC4390	K2FBTC4390	100x75
KFBTC4490	K2FBTC4490	100x100
KFBTC6390	K2FBTC6390	150x75
KFBTC6490	K2FBTC6490	150x100
KFBTC6690	K2FBTC6690	150x150
KFBTC8490	K2FBTC8490	200x100
KFBTC8690	K2FBTC8690	200x150
KFBTC8890	K2FBTC8890	200x200


90° Flat Bend Internal Cover

Model		Size
Single	Dual	
KFBIC2290	K2FBIC2290	50x50
KFBIC3290	K2FBIC3290	75x50
KFBIC3390	K2FBIC3390	75x75
KFBIC4290	K2FBIC4290	100x50
KFBIC4390	K2FBIC4390	100x75
KFBIC4490	K2FBIC4490	100x100
KFBIC6390	K2FBIC6390	150x75
KFBIC6490	K2FBIC6490	150x100
KFBIC6690	K2FBIC6690	150x150
KFBIC8490	K2FBIC8490	200x100
KFBIC8690	K2FBIC8690	200x150
KFBIC8890	K2FBIC8890	200x200


90° Flat Bend External Cover

Model		Size
Single	Dual	
KEBSC2290	K2EBSC2290	50x50
KEBSC3290	K2EBSC3290	75x50
KEBSC3390	K2EBSC3390	75x75
KEBSC4290	K2EBSC4290	100x50
KEBSC4390	K2EBSC4390	100x75
KEBSC4490	K2EBSC4490	100x100
KEBSC6390	K2EBSC6390	150x75
KEBSC6490	K2EBSC6490	150x100
KEBSC6690	K2EBSC6690	150x150
KEBSC8490	K2EBSC8490	200x100
KEBSC8690	K2EBSC8690	200x150
KEBSC8890	K2EBSC8890	200x200

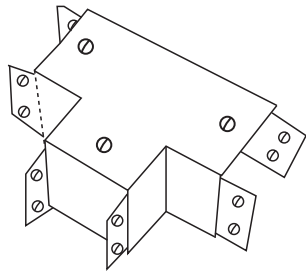

90° Flat Bend Internal Cover

Model		Size
Single	Dual	
KIBIC2290	K2IBIC2290	50x50
KIBIC3290	K2IBIC3290	75x50
KIBIC3390	K2IBIC3390	75x75
KIBIC4290	K2IBIC4290	100x50
KIBIC4390	K2IBIC4390	100x75
KIBIC4490	K2IBIC4490	100x100
KIBIC6390	K2IBIC6390	150x75
KIBIC6490	K2IBIC6490	150x100
KIBIC6690	K2IBIC6690	150x150
KIBIC8490	K2IBIC8490	200x100
KIBIC8690	K2IBIC8690	200x150
KIBIC8890	K2IBIC8890	200x200

Dimension in Millimeter

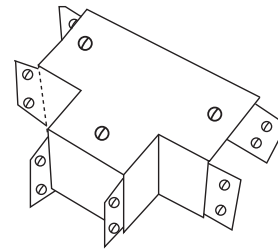
Finish : HDG-Hot Dip Galvanized PG - Pre Galvanized Al - Aluminum Alloy - SS34 (SS304 Grade), SS36 (SS316 Grade)
 EP - Epoxy Coated PC - PVC Coated

When ordering please Indicate Material and Finish. We also supply other sizes as per the clients requirement.



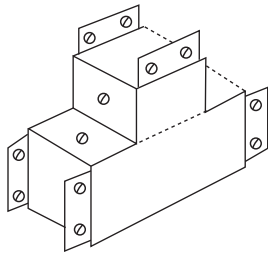
Flat Equal Tee Top Cover

Model		Size
Single	Dual	
KFTTC22	K2FTTC22	50x50
KFTTC32	K2FTTC32	75x50
KFTTC33	K2FTTC33	75x75
KFTTC42	K2FTTC42	100x50
KFTTC43	K2FTTC43	100x75
KFTTC44	K2FTTC44	100x100
KFTTC63	K2FTTC63	150x75
KFTTC64	K2FTTC64	150x100
KFTTC66	K2FTTC66	150x150
KFTTC84	K2FTTC84	200x100
KFTTC86	K2FTTC86	200x150
KFTTC88	K2FTTC88	200x200



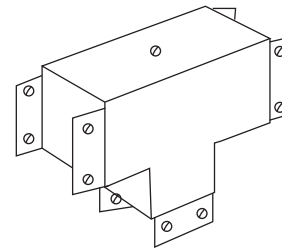
Flat Un Equal Tee Top Cover

Model		Size
Single	Dual	
KFUTC22	K2FUTC22	50x50
KFUTC32	K2FUTC32	75x50
KFUTC33	K2FUTC33	75x75
KFUTC42	K2FUTC42	100x50
KFUTC43	K2FUTC43	100x75
KFUTC44	K2FUTC44	100x100
KFUTC63	K2FUTC63	150x75
KFUTC64	K2FUTC64	150x100
KFUTC66	K2FUTC66	150x150
KFUTC84	K2FUTC84	200x100
KFUTC86	K2FUTC86	200x150
KFUTC88	K2FUTC88	200x200



Flat Internal Tee

Model		Size
Single	Dual	
KFIT22	K2FIT22	50x50
KFIT32	K2FIT32	75x50
KFIT33	K2FIT33	75x75
KFIT42	K2FIT42	100x50
KFIT43	K2FIT43	100x75
KFIT44	K2FIT44	100x100
KFIT63	K2FIT63	150x75
KFIT64	K2FIT64	150x100
KFIT66	K2FIT66	150x150
KFIT84	K2FIT84	200x100
KFIT86	K2FIT86	200x150
KFIT88	K2FIT88	200x200



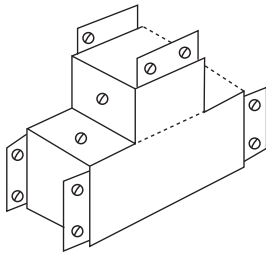
Flat External Tee

Model		Size
Single	Dual	
KFET22	K2FET22	50x50
KFET32	K2FET32	75x50
KFET33	K2FET33	75x75
KFET42	K2FET42	100x50
KFET43	K2FET43	100x75
KFET44	K2FET44	100x100
KFET63	K2FET63	150x75
KFET64	K2FET64	150x100
KFET66	K2FET66	150x150
KFET84	K2FET84	200x100
KFET86	K2FET86	200x150
KFET88	K2FET88	200x200

Dimension in Millimeter

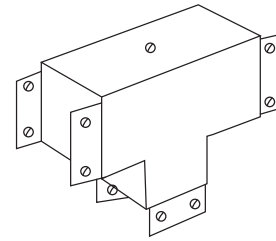
Finish : HDG-Hot Dip Galvanized PG - Pre Galvanized Al - Aluminum Alloy - SS34 (SS304 Grade), SS36 (SS316 Grade)
 EP - Epoxy Coated PC - PVC Coated

When ordering please Indicate Material and Finish. We also supply other sizes as per the clients requirement.



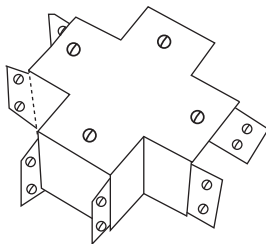
Flat Internal Un Equal Tee

Model		Size
Single	Dual	
KFIUT22	K2FIUT22	50x50
KFIUT32	K2FIUT32	75x50
KFIUT33	K2FIUT33	75x75
KFIUT42	K2FIUT42	100x50
KFIUT43	K2FIUT43	100x75
KFIUT44	K2FIUT44	100x100
KFIUT63	K2FIUT63	150x75
KFIUT64	K2FIUT64	150x100
KFIUT66	K2FIUT66	150x150
KFIUT84	K2FIUT84	200x100
KFIUT86	K2FIUT86	200x150
KFIUT88	K2FIUT88	200x200



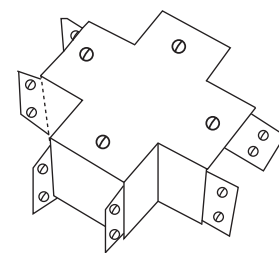
Flat External Un Equal Tee

Model		Size
Single	Dual	
KFEUT22	K2FEUT22	50x50
KFEUT32	K2FEUT32	75x50
KFEUT33	K2FEUT33	75x75
KFEUT42	K2FEUT42	100x50
KFEUT43	K2FEUT43	100x75
KFEUT44	K2FEUT44	100x100
KFEUT63	K2FEUT63	150x75
KFEUT64	K2FEUT64	150x100
KFEUT66	K2FEUT66	150x150
KFEUT84	K2FEUT84	200x100
KFEUT86	K2FEUT86	200x150
KFEUT88	K2FEUT88	200x200



Flat Equal Cross

Model		Size
Single	Dual	
KFEC22	K2FEC22	50x50
KFEC32	K2FEC32	75x50
KFEC33	K2FEC33	75x75
KFEC42	K2FEC42	100x50
KFEC43	K2FEC43	100x75
KFEC44	K2FEC44	100x100
KFEC63	K2FEC63	150x75
KFEC64	K2FEC64	150x100
KFEC66	K2FEC66	150x150
KFEC84	K2FEC84	200x100
KFEC86	K2FEC86	200x150
KFEC88	K2FEC88	200x200



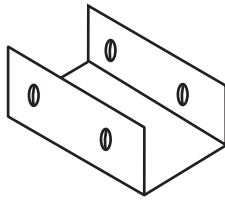
Flat Un Equal Cross

Model		Size
Single	Dual	
KFUEC22	K2FUEC22	50x50
KFUEC32	K2FUEC32	75x50
KFUEC33	K2FUEC33	75x75
KFUEC42	K2FUEC42	100x50
KFUEC43	K2FUEC43	100x75
KFUEC44	K2FUEC44	100x100
KFUEC63	K2FUEC63	150x75
KFUEC64	K2FUEC64	150x100
KFUEC66	K2FUEC66	150x150
KFUEC84	K2FUEC84	200x100
KFUEC86	K2FUEC86	200x150
KFUEC88	K2FUEC88	200x200

Dimension in Millimeter

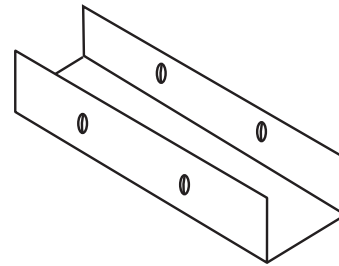
Finish : HDG-Hot Dip Galvanized PG - Pre Galvanized AI - Aluminum Alloy - SS34 (SS304 Grade), SS36 (SS316 Grade)
 EP - Epoxy Coated PC - PVC Coated

When ordering please Indicate Material and Finish. We also supply other sizes as per the clients requirement.



Coupling

Model		Size
Single	Dual	
KC22	K2C22	50x50
KC32	K2C32	75x50
KC33	K2C33	75x75
KC42	K2C42	100x50
KC43	K2C43	100x75
KC44	K2C44	100x100
KC63	K2C63	150x75
KC64	K2C64	150x100
KC66	K2C66	150x150
KC84	K2C84	200x100
KC86	K2C86	200x150
KC88	K2C88	200x200



Long Coupling

Model		Size
Single	Dual	
KLC22	K2LC22	50x50
KLC32	K2LC32	75x50
KLC33	K2LC33	75x75
KLC42	K2LC42	100x50
KLC43	K2LC43	100x75
KLC44	K2LC44	100x100
KLC63	K2LC63	150x75
KLC64	K2LC64	150x100
KLC66	K2LC66	150x150
KLC84	K2LC84	200x100
KLC86	K2LC86	200x150
KLC88	K2LC88	200x200

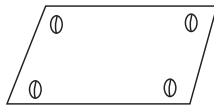
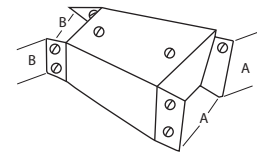


Plate Coupling

Model	Size
KPC22	50x50
KPC32	75x50
KPC33	75x75
KPC42	100x50
KPC43	100x75
KPC44	100x100
KPC63	150x75
KPC64	150x100
KPC66	150x150
KPC84	200x100
KPC86	200x150
KPC88	200x200



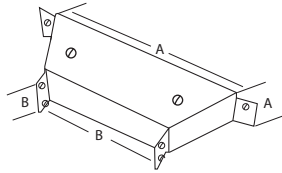
Straight Reducer

Model	Size	
	A	B
KSR1	75x75	50x50
KSR2	100x100	50x50
KSR3	100x100	75x75
KSR4	100x100	100x50
KSR5	150x150	50x50
KSR6	150x150	75x75
KSR7	150x150	100x50
KSR8	150x150	100x100
KSR9	200x200	75x75
KSR10	200x200	100x100
KSR11	200x200	100x50
KSR12	200x200	150x150

Dimension in Millimeter

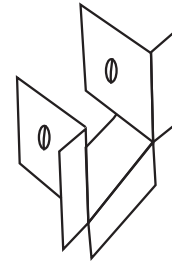
Finish : HDG-Hot Dip Galvanized PG - Pre Galvanized Al - Aluminum Alloy - SS34 (SS304 Grade), SS36 (SS316 Grade)
 EP - Epoxy Coated PC - PVC Coated

When ordering please Indicate Material and Finish. We also supply other sizes as per the clients requirement.



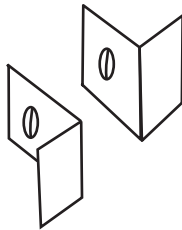
Flange Adaptor

Model	Size	
	A	B
KFA1	75x75	50x50
KFA2	100x100	50x50
KFA3	100x100	75x75
KFA4	100x100	100x50
KFA5	150x150	50x50
KFA6	150x150	75x75
KFA7	150x150	100x50
KFA8	150x150	100x100
KFA9	200x200	75x75
KFA10	200x200	100x100
KFA11	200x200	100x50
KFA12	200x200	150x150



End Flange

Model	Size
KEF22	50x50
KEF32	75x50
KEF33	75x75
KEF42	100x50
KEF43	100x75
KEF44	100x100
KEF63	150x75
KEF64	150x100
KEF66	150x150
KEF84	200x100
KEF86	200x150
KEF88	200x200



Flanges

Model	Size
KF22	50x50
KF32	75x50
KF33	75x75
KF42	100x50
KF43	100x75
KF44	100x100
KF63	150x75
KF64	150x100
KF66	150x150
KF84	200x100
KF86	200x150
KF88	200x200



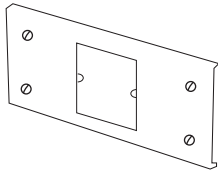
End Cap

Model	Size
KEC22	50x50
KEC32	75x50
KEC33	75x75
KEC42	100x50
KEC43	100x75
KEC44	100x100
KEC63	150x75
KEC64	150x100
KEC66	150x150
KEC84	200x100
KEC86	200x150
KEC88	200x200

Dimension in Millimeter

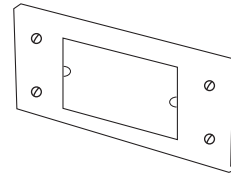
Finish : HDG-Hot Dip Galvanized PG - Pre Galvanized AI - Aluminum Alloy - SS34 (SS304 Grade), SS36 (SS316 Grade)
 EP - Epoxy Coated PC - PVC Coated

When ordering please Indicate Material and Finish. We also supply other sizes as per the clients requirement.



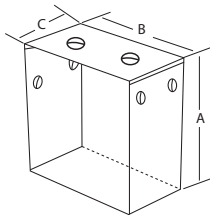
Single Socket Cover

Model	Size
KSSC1	100x100
KSSC2	150x100
KSSC3	150x150
KSSC4	200x100
KSSC5	200x150
KSSC6	200x200



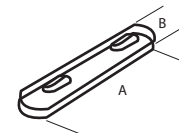
Double Socket Cover

Model	Size
KDSC1	100x100
KDSC2	150x100
KDSC3	150x150
KDSC4	200x100
KDSC5	200x150
KDSC6	200x200



Trunking Hanger

Model	A	B	C
KTH22	75	50	30
KTH33	100	75	30
KTH44	125	100	30
KTH66	175	150	50
KTH64	175	100	50
KTH88	225	200	50
KTH84	225	100	50
KTH86	225	150	50



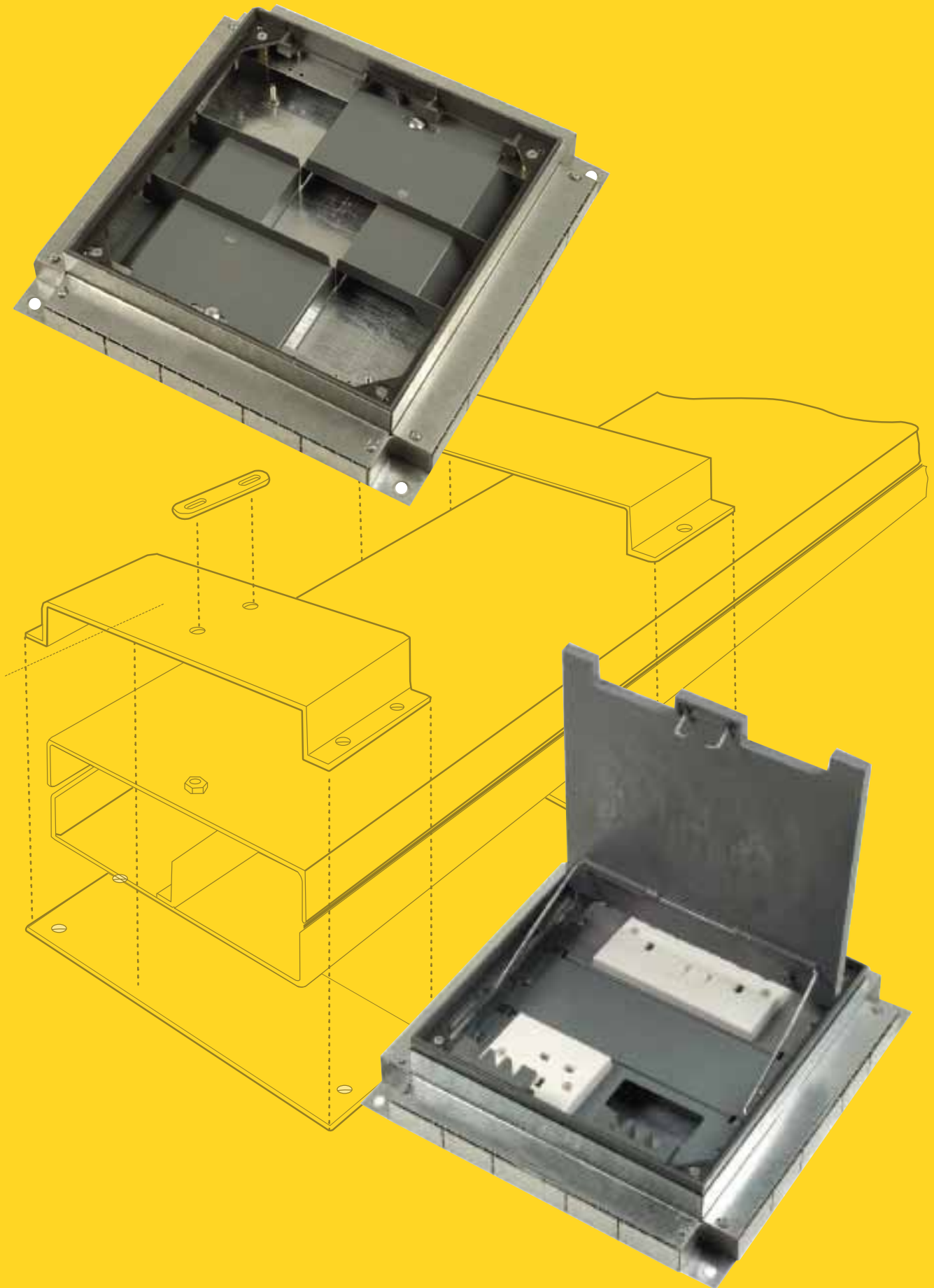
Earth Link

Model	A	B	C
KEL1	100	10	
KEL2	100	15	
KEL3	150	15	
KEL4	150	20	
KEL5	200	15	
KEL6	200	20	
KEL7	250	15	
KEL8	250	20	

Dimension in Millimeter

Finish : HDG-Hot Dip Galvanized PG - Pre Galvanized Al - Aluminum Alloy - SS34 (SS304 Grade), SS36 (SS316 Grade)
 EP - Epoxy Coated PC - PVC Coated

When ordering please Indicate Material and Finish. We also supply other sizes as per the clients requirement.

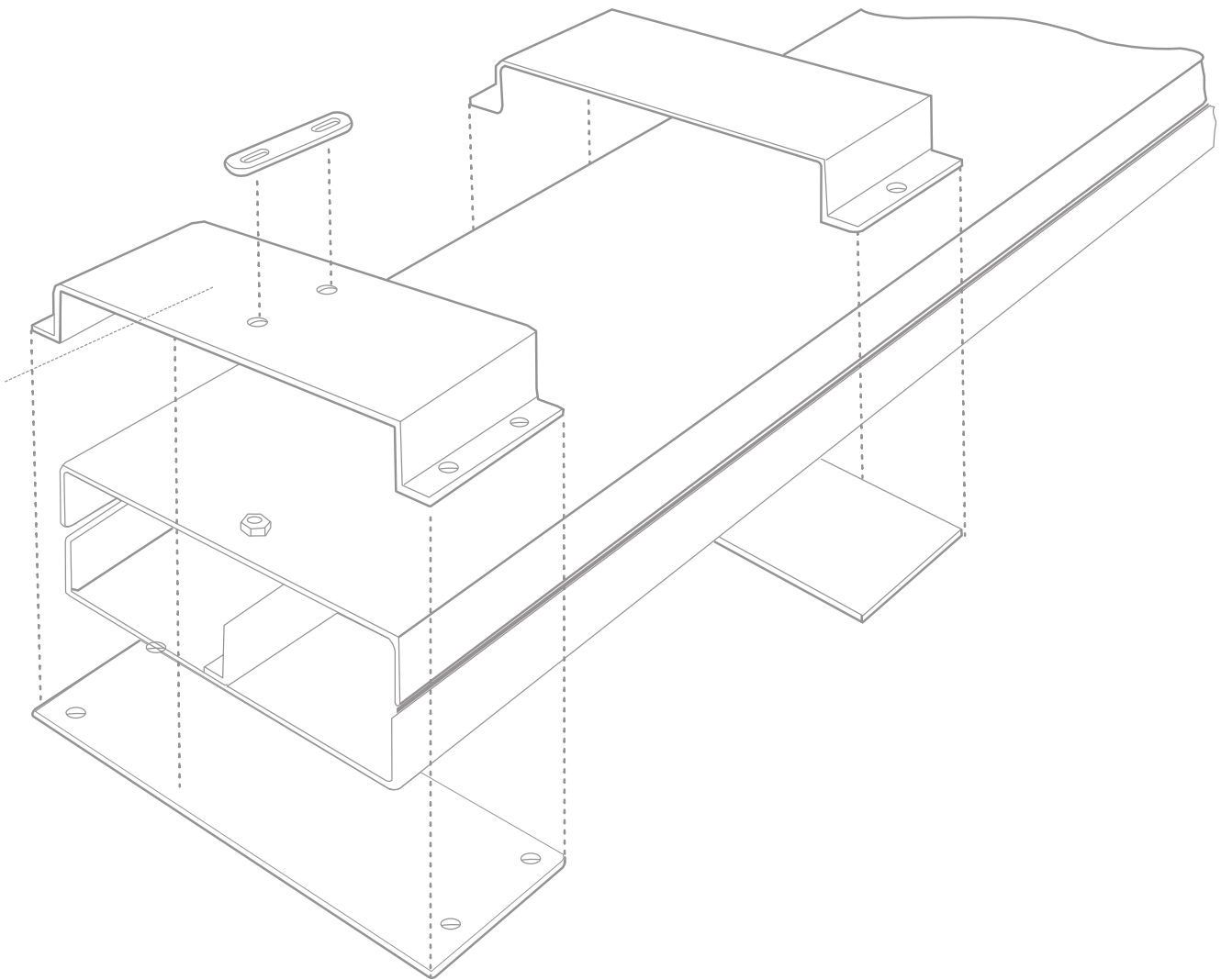




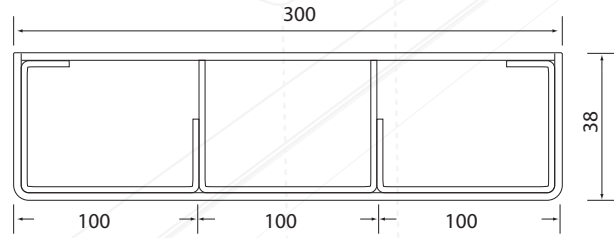
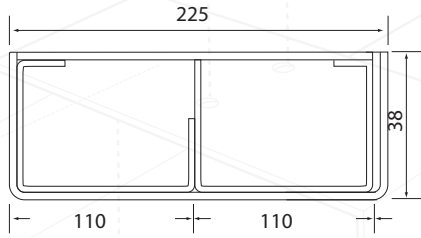
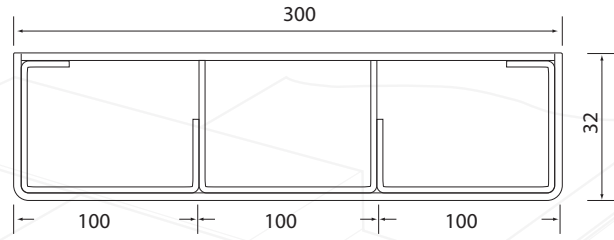
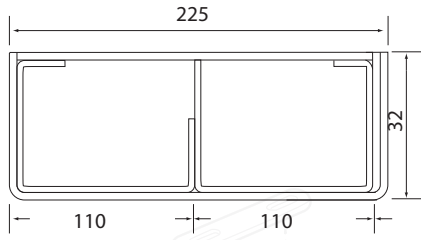
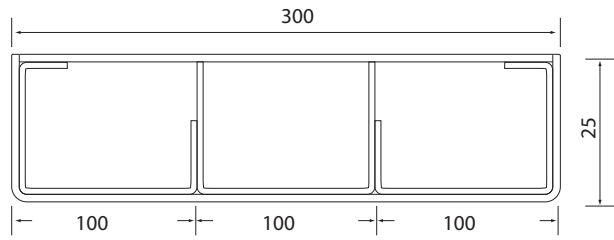
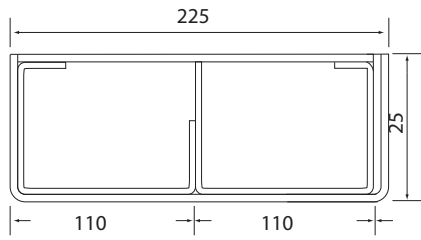
KMC Under floor trunking system has been designed for the cable distribution in floor where the trunkings are under the floor. All the under floor trunkings are enclosed in a range of sizes and compartments. The universal junction box of the under floor trunking can be used as intersection, bends, tees and as well as services access to the buried system and it is available in 3 and 4 compartments. These trunkings are manufactured in self coloured pre galvanized steel (Hot dip galvanized sheet steel) to BS EN 10142:1991. These are supplied in 3 meters length complete with coupling and all the necessary fixing screws. The standard thickness for the trunking body, the divider and the cover (Lid) is of 1.5mm thickness unless otherwise specified.

Under floor service outlet module which are fixed flush to the raised floor. It includes a wide range of accessories suitable for the service outlet box. All these accessories are available in module type and plate type wiring devices.

All these service out let boxes are available in Brass, Aluminium & stainless steel trims and the covers.

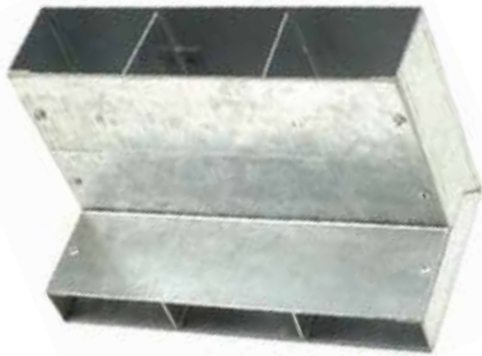


Note:
Flushfloor, Underfloor, Raisedfloor are manufactured by ULI - Malaysia.

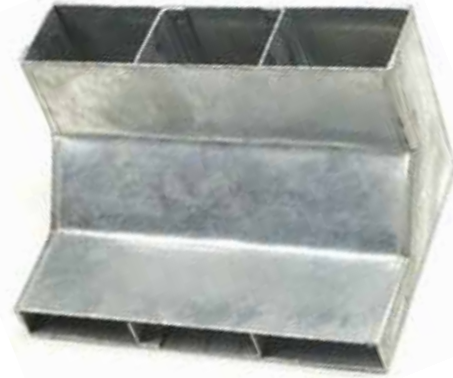


Model	Width	Compartment	Height	Body Thickness	Cover Thickness	Length (mm)	Finish
KTUF1	225mm	2	25mm	1.5mm	1.5mm	3000	Pregalvanized, Hot dipped Galvanized, Epoxy Coated, Stainless Steel & Aluminium
KTUF2	225mm	2	25mm	1.5mm	1.5mm	3000	
KTUF3	225mm	2	32mm	1.5mm	1.5mm	3000	
KTUF4	225mm	3	32mm	1.5mm	1.5mm	3000	
KTUF5	225mm	2	38mm	1.5mm	1.5mm	3000	
KTUF6	225mm	3	38mm	1.5mm	1.5mm	3000	
KTUF7	250mm	2	25mm	1.5mm	1.5mm	3000	
KTUF8	250mm	3	25mm	1.5mm	1.5mm	3000	
KTUF9	250mm	2	32mm	1.5mm	1.5mm	3000	
KTUF10	250mm	3	32mm	1.5mm	2.5mm	3000	
KTUF11	250mm	2	38mm	1.5mm	2.5mm	3000	
KTUF12	250mm	3	38mm	1.5mm	2.5mm	3000	
KTUF13	300mm	2	25mm	1.5mm	2.5mm	3000	
KTUF14	300mm	3	25mm	1.5mm	1.5mm	3000	
KTUF15	300mm	2	32mm	1.5mm	1.5mm	3000	
KTUF16	300mm	3	32mm	1.5mm	1.5mm	3000	
KTUF17	300mm	2	38mm	1.5mm	1.5mm	3000	
KTUF18	300mm	3	38mm	1.5mm	1.5mm	3000	

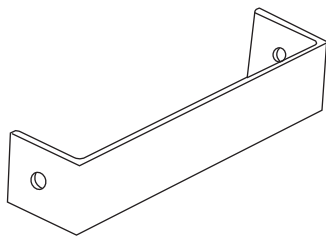
PG - Pregalvanized as per BSEN 10142 & BS 4678 Part I Type II (1971)
 HDG - Hot Dip Galvanized as per BS EN ISO1461/ 1999 (formerly BS729)
 SS36 - Stainless Steel GRADE 316L complying with BS EN 10088-2/2001
 SS34 - Stainless Steel GRADE 304
 EP - Epoxy Powder Coated in RAL Colours
 Al - Aluminium
 PC - PVC Coated


Verticle Riser Bend

Verticle Riser Bend			
Model	Size	Depth	Compartment
KUFVB-1	225	25/32/38	2/3
KUFVB-2	250	25/32/38	2/3
KUFVB-3	300	25/32/38	2/3


Riser Bend

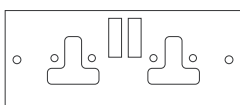
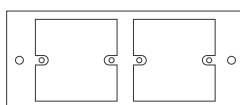
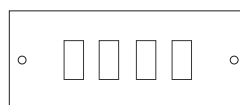
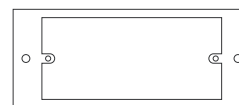
Riser Bend			
Model	Size	Depth	Compartment
KURB-1	225	25/32/38	2/3
KURB-2	250	25/32/38	2/3
KURB-3	300	25/32/38	2/3


Blank End

Verticle Riser Bend			
Model	Size	Depth	Compartment
KUBE-1	225	25/32/38	2/3
KUBE-2	250	25/32/38	2/3
KUBE-3	300	25/32/38	2/3

Note:

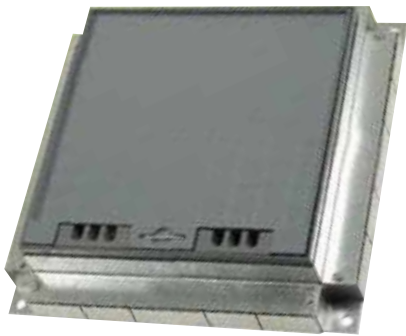
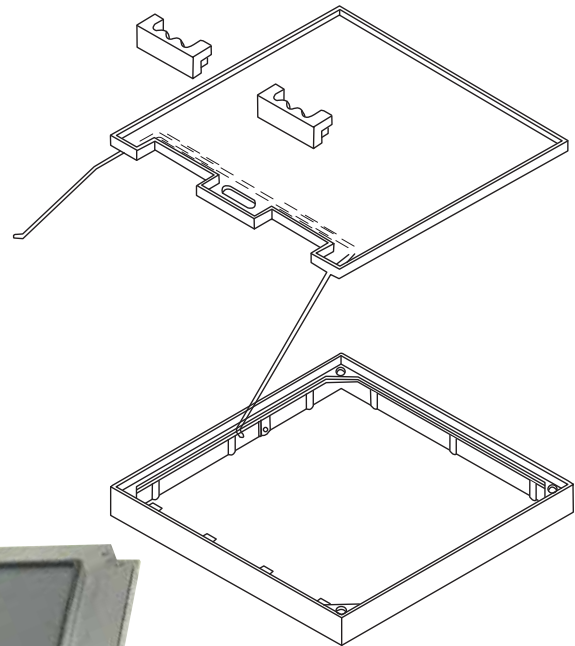
Please add along with the size depth and number of compartment to have the correct model no for the accessories
 For example 225mm Verticle Riser Bend 2 compartment 25 mm depth model no will be KUFVB1252.

Standard Service Outlets

KTCM13D/SW

KTCMD/M

KTCM4/M

KTCM1/M

KTCMBP



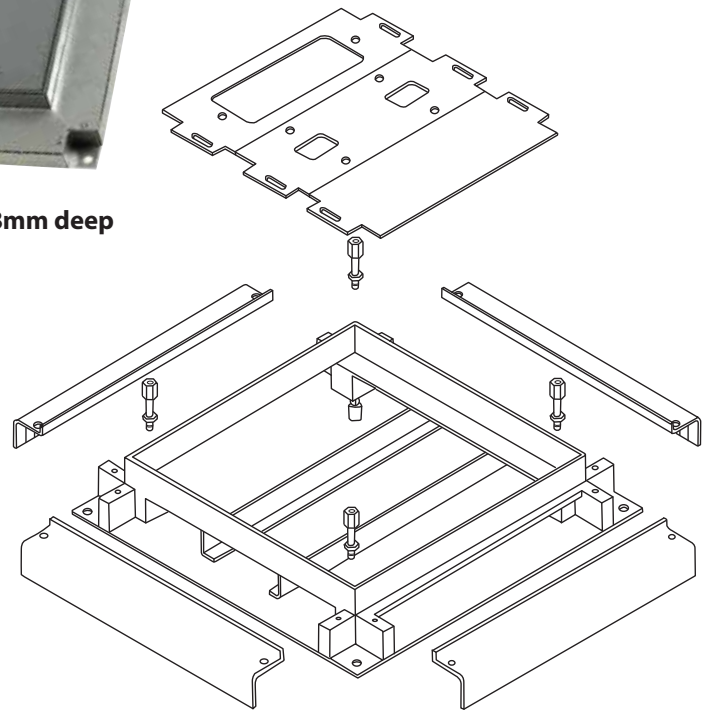
Service Outlet box 25mm deep



Service Outlet box 32mm deep

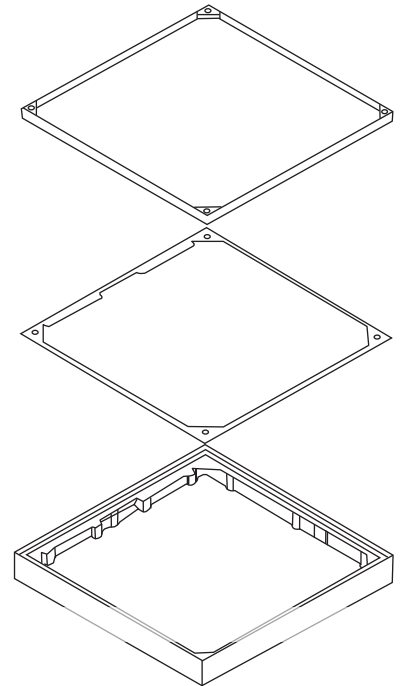


Service Outlet box 38mm deep



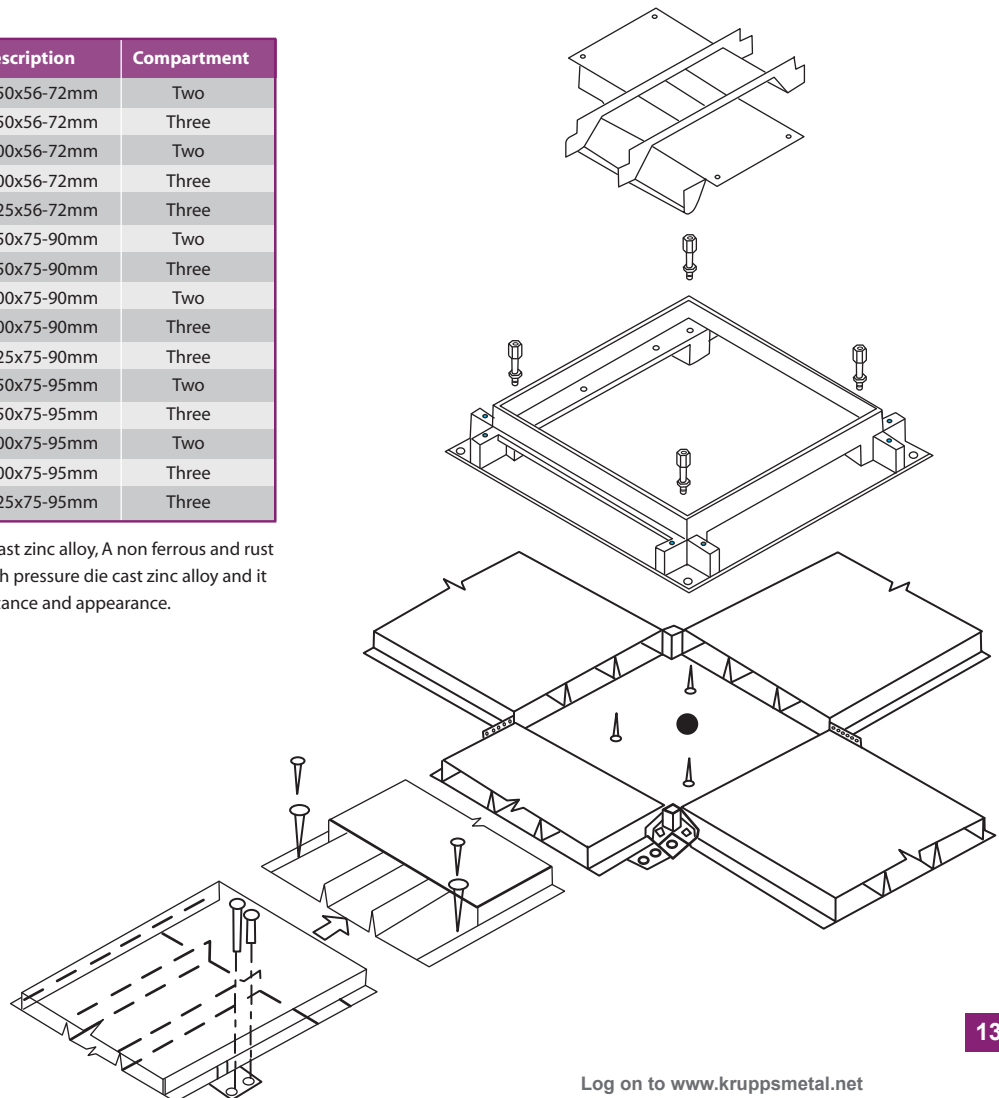
Ductings Depth	Model	Description	Compartment
Max. 25mm	KTSB252C/25	250x250x56-72mm	Two
	KTSB253C/25	250x250x56-72mm	Three
	KTSB302C/25	300x300x56-72mm	Two
	KTSB303C/25	300x300x56-72mm	Three
Max. 32mm	KTSB323C/25	325x325x56-72mm	Three
	KTSB252C/32	250x250x75-90mm	Two
	KTSB253C/32	250x250x75-90mm	Three
	KTSB302C/32	300x300x75-90mm	Two
	KTSB303C/32	300x300x75-90mm	Three
Max. 38mm	KTSB323C/32	325x325x75-90mm	Three
	KTSB252C/38	250x250x75-95mm	Two
	KTSB253C/38	250x250x75-95mm	Three
	KTSB302C/38	300x300x75-95mm	Two
	KTSB303C/38	300x300x75-95mm	Three
	KTSB323C/38	325x325x75-95mm	Three

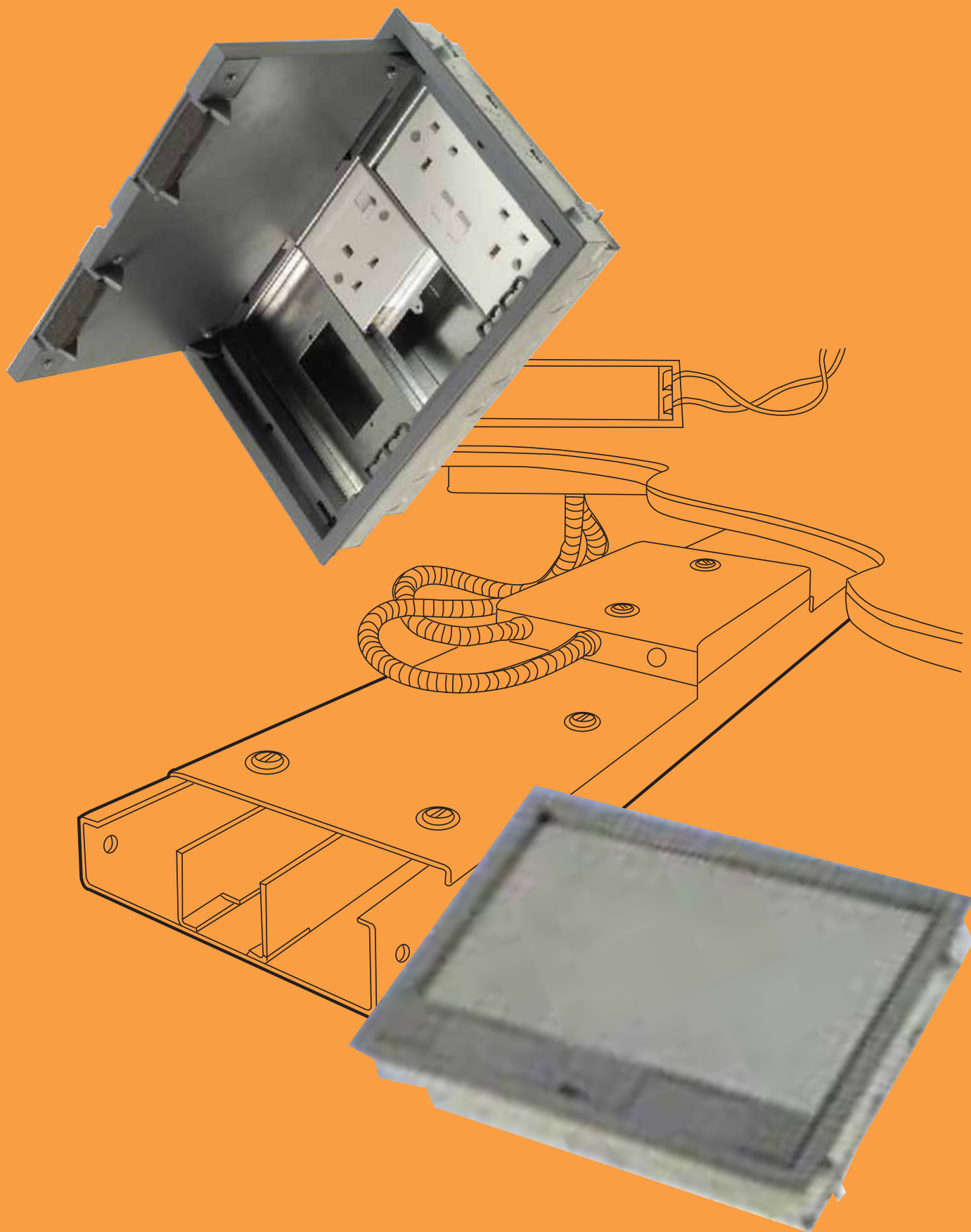
Note: The box frame is made of high pressure die cast zinc alloy, A non ferrous and rust proof material. The trap and frame are made of high pressure die cast zinc alloy and it is powder coated to further enhance the rust resistance and appearance.



Ductings Depth	Model	Description	Compartment
Max. 25mm	KTJB252C/25	250x250x56-72mm	Two
	KTJB253C/25	250x250x56-72mm	Three
	KTJB302C/25	300x300x56-72mm	Two
	KTJB303C/25	300x300x56-72mm	Three
	KTJB323C/25	325x325x56-72mm	Three
Max. 32mm	KTJB252C/32	250x250x75-90mm	Two
	KTJB253C/32	250x250x75-90mm	Three
	KTJB302C/32	300x300x75-90mm	Two
	KTJB303C/32	300x300x75-90mm	Three
	KTJB323C/32	325x325x75-90mm	Three
Max. 38mm	KTJB252C/38	250x250x75-95mm	Two
	KTJB253C/38	250x250x75-95mm	Three
	KTJB302C/38	300x300x75-95mm	Two
	KTJB303C/38	300x300x75-95mm	Three
	KTJB323C/38	325x325x75-95mm	Three

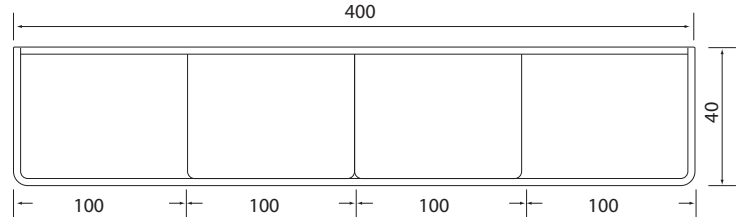
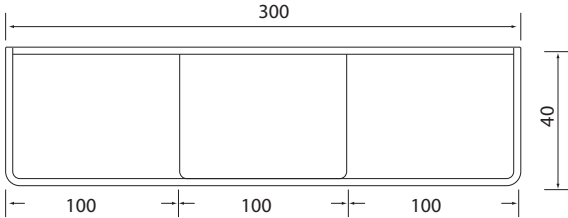
Note: The box frame is made of high pressure die cast zinc alloy, A non ferrous and rust proof material. The trap and frame are made of high pressure die cast zinc alloy and it is powder coated to further enhance the rust resistance and appearance.



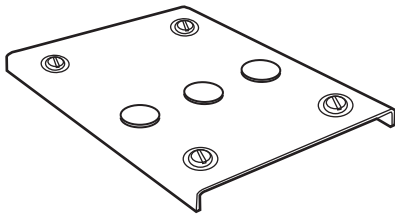




KMC Raised floor trunking system is also called Cavity floor trunking system. This is also designed for the distribution and access to power and data services in the raised floor installation. These trunkings are manufactured in self coloured pre galvanized steel (Hot dip galvanized sheet steel) to BS EN 10142:1991. These are supplied in 3meters length complete with coupling and all the necessary fixing screws. The standard thickness for the trunking body the divider and the cover (Lid) are of 1.5mm thickness unless otherwise specified.

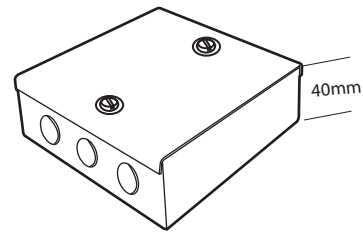


Model	Width	Compartment	Height	Body Thickness	Cover Thickness	Length	Finish
KTRF1	200mm	2	40mm	1.5mm	1.5mm	3000mm	Pregalvanized, Hot dipped Galvanized, Epoxy Coated, Aluminium & Stainless Steel
KTRF2	200mm	3	40mm	1.5mm	1.5mm	3000mm	
KTRF3	250mm	2	40mm	1.5mm	1.5mm	3000mm	
KTRF4	250mm	3	40mm	1.5mm	1.5mm	3000mm	
KTRF5	300mm	2	40mm	1.5mm	1.5mm	3000mm	
KTRF6	300mm	3	40mm	1.5mm	1.5mm	3000mm	
KTRF7	400mm	3	40mm	2mm	2mm	3000mm	
KTRF8	400mm	4	40mm	2mm	2mm	3000mm	



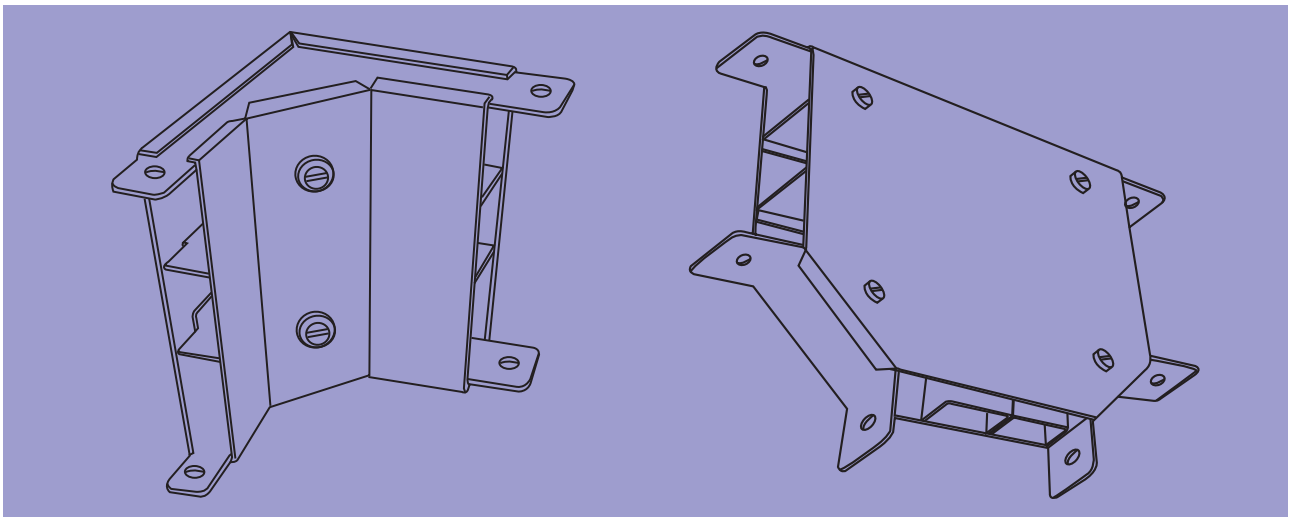
Tap of Box Cover

Model	Size
KTBC1	200
KTBC2	250
KTBC3	300
KTBC4	400



Tap of Box

Model	Length	Width
KTB1	200	200
KTB2	250	250
KTB3	300	300
KTB4	400	400



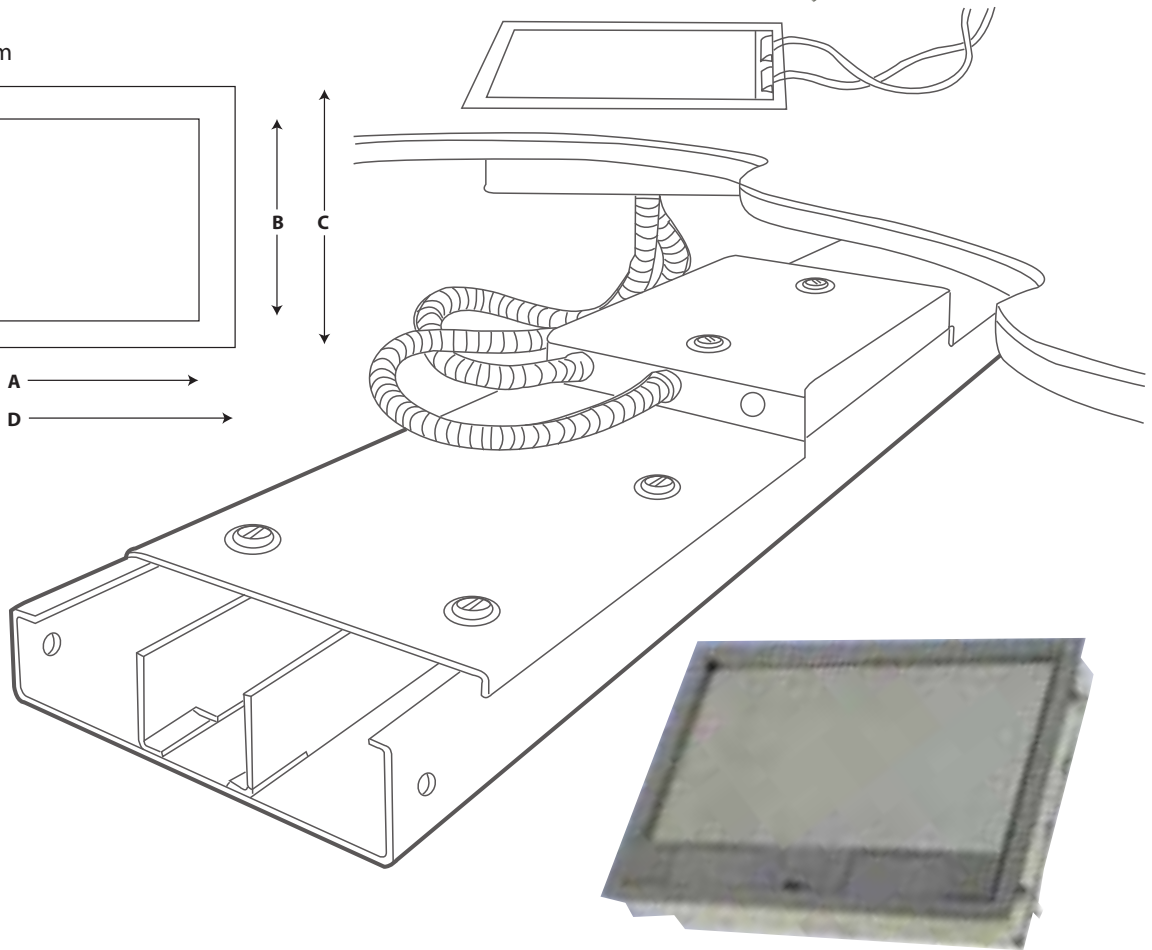
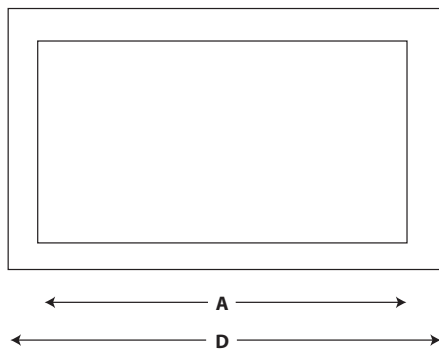
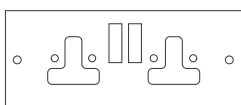
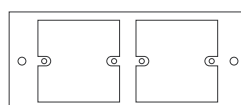
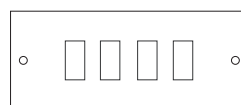
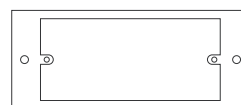
Raised floor service outlet module which are fixed flush to the raised floor. It includes with a wide range of accessories suitable for the service outlet box. All these accessories are available in module type and plate type wiring devices.

All these service out let boxes are available in Brass, Aluminium & stainless steel trims and the covers.

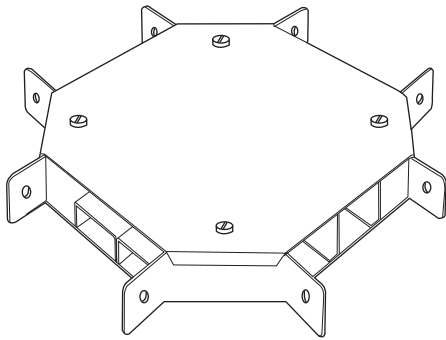
Model	A	B	C	D
KTSBRF2	285	195	225	330
KTSBRF3	285	195	225	330


Service Outlet Box

Overall Depth 85mm

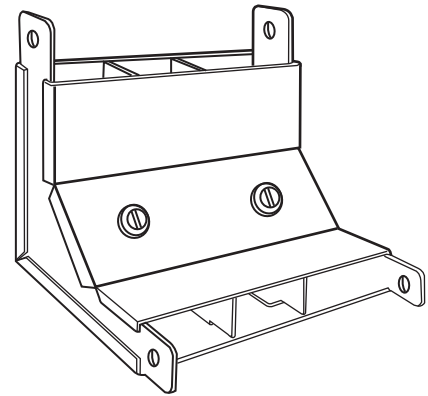

Service Outlet Box
Standard Service Outlets

KTCM13D/SW

KTCMD/M

KTCM4/M

KTCM1/M

KTCMBP



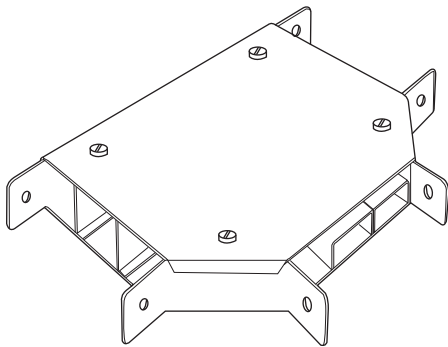
Cross

Cross			
Model	Size	Depth	Compartment
KRFC1	200	40	2/3
KRFC2	250	40	2/3
KRFC3	300	40	2/3
KRFC4	400	40	2/3



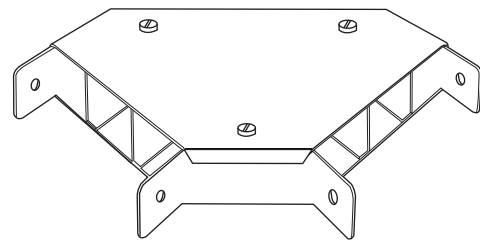
Inside Riser

Cross			
Model	Size	Depth	Compartment
KRFI1	200	40	2/3
KRFI2	250	40	2/3
KRFI3	300	40	2/3
KRFI4	400	40	2/3



Flat Tee

Cross			
Model	Size	Depth	Compartment
KFT1	200	40	2/3
KFT2	250	40	2/3
KFT3	300	40	2/3
KFT4	400	40	2/3

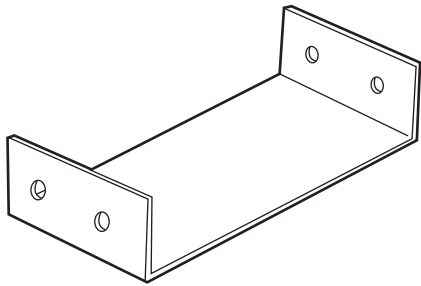


90° Bend

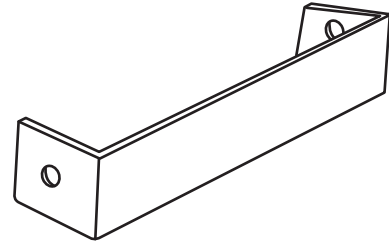
Cross			
Model	Size	Depth	Compartment
KRFB1	200	40	2/3
KRFB2	250	40	2/3
KRFB3	300	40	2/3
KRFB4	400	40	2/3

Note:

Please add along with the size depth and number of compartment to have the correct model no for the accessories
For example 225mmCross 2 compartment model no will be KRFCI2.



Coupling



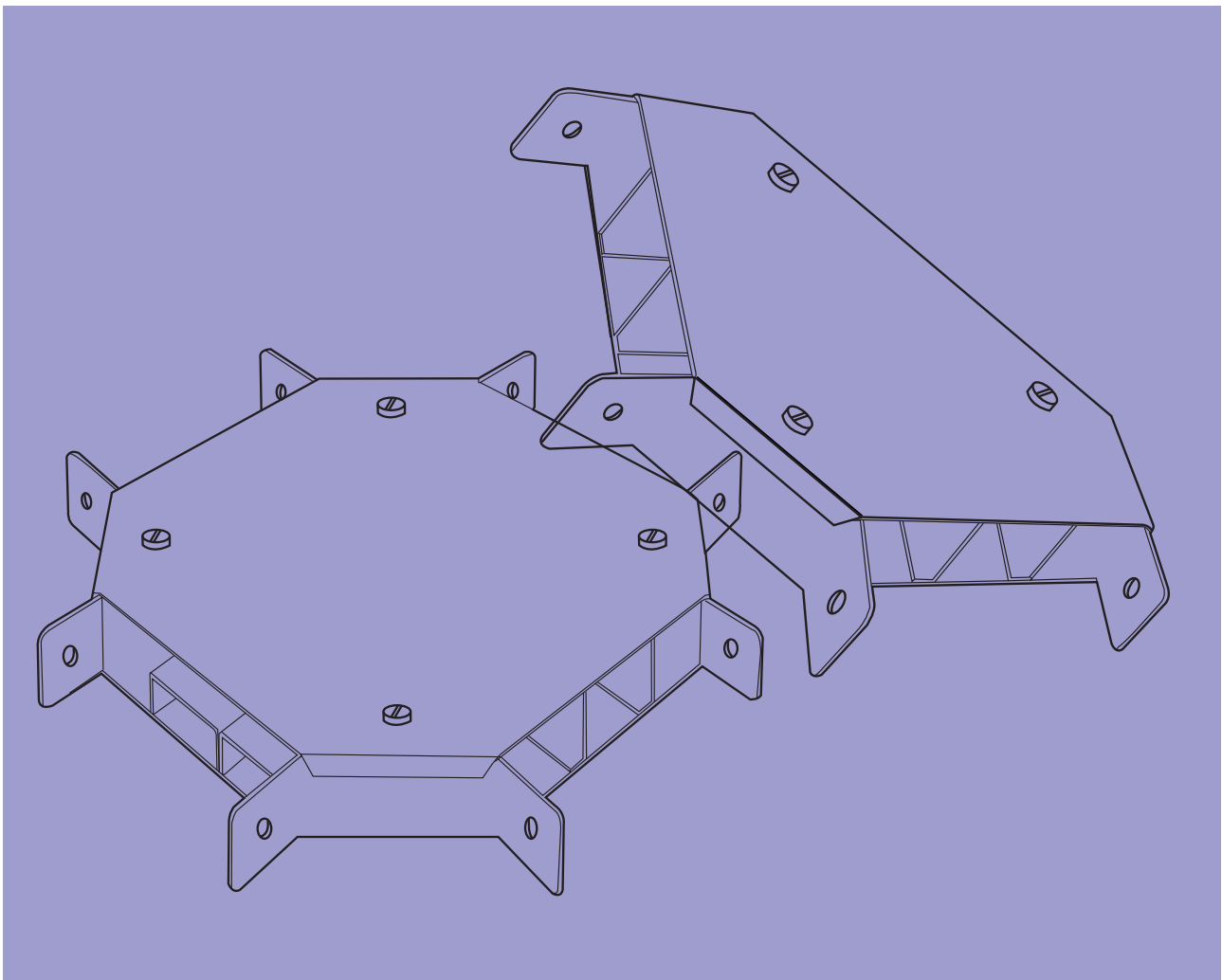
Blank End

Cross			
Model	Size	Depth	Compartment
KRFC1	200	40	2/3
KRFC2	250	40	2/3
KRFC3	300	40	2/3
KRFC4	400	40	2/3

Blank End			
Model	Size	Depth	Compartment
KRFBE-1	200	40	2/3
KRFBE-2	250	40	2/3
KRFBE-3	300	40	2/3
KRFBE-4	400	40	2/3

Note:

Please add along with the size depth and number of compartment to have the correct model no for the accessories
For example 225mmCross 2 compartment model no will be KRFC12.



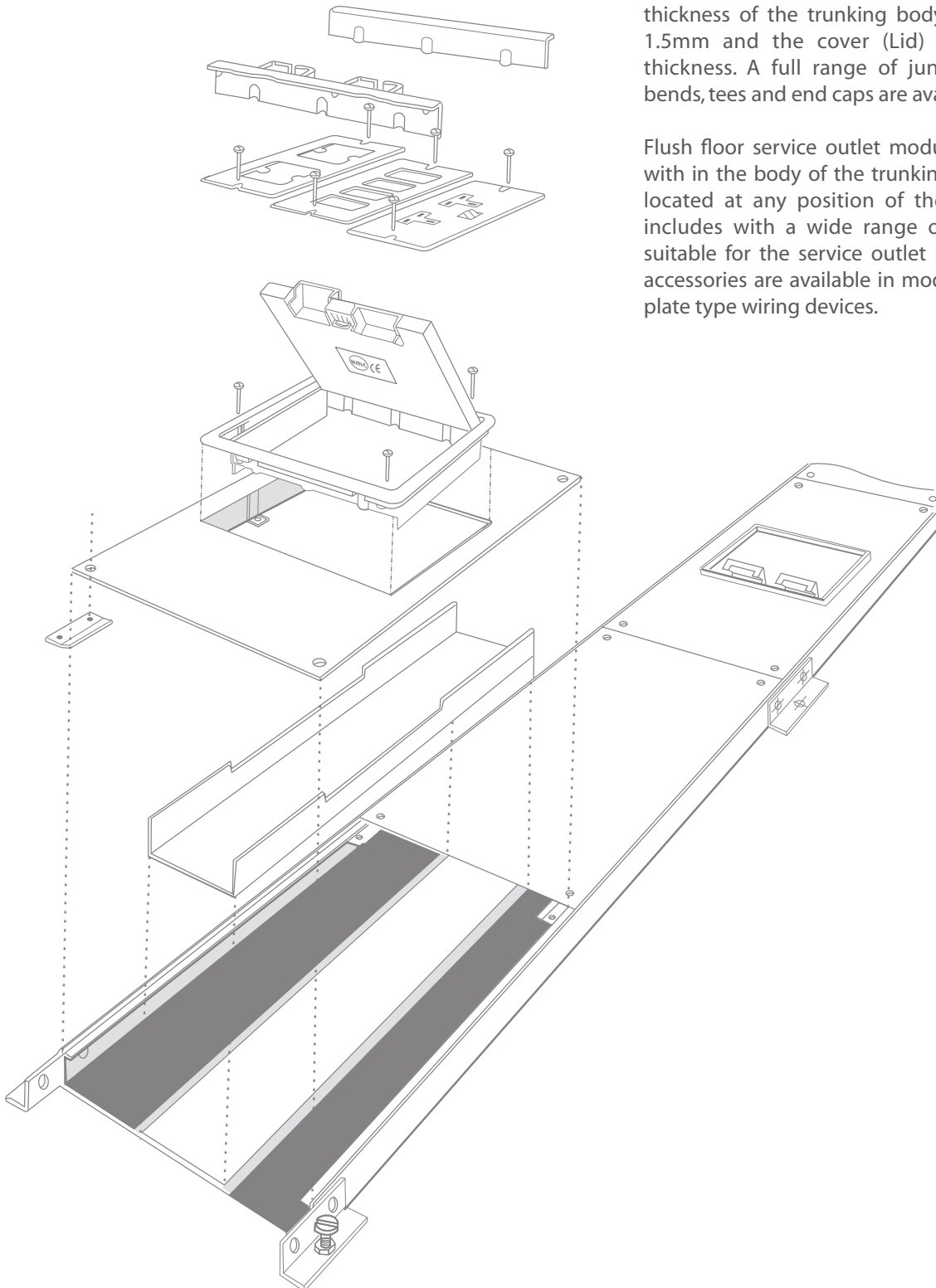


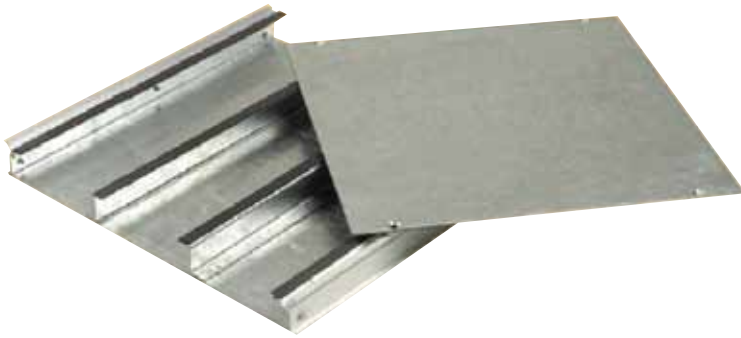


KMC Flush floor trunking and services outlet system has been designed for the distribution and access to power & data services in the flush floors. The trunkings are manufactured in self coloured pre galvanized steel (Hot dip galvanized sheet steel) to BS EN 10142:1991. The trunkings are supplied in 3meters length complete with coupling and all the necessary fixing screws.

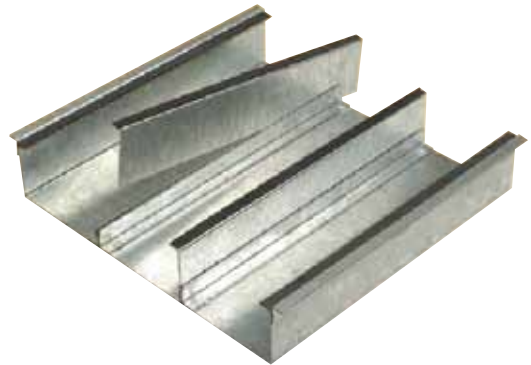
The flush floor trunking covers are supplied in ½ meter (500mm) length. The standard thickness of the trunking body & divider is 1.5mm and the cover (Lid) is of 2.5mm thickness. A full range of junctions, risers, bends, tees and end caps are available.

Flush floor service outlet module which lies with in the body of the trunking and can be located at any position of the trunking. It includes with a wide range of accessories suitable for the service outlet box. All these accessories are available in module type and plate type wiring devices.





Flushfloor Trunking with Aluminium Trim

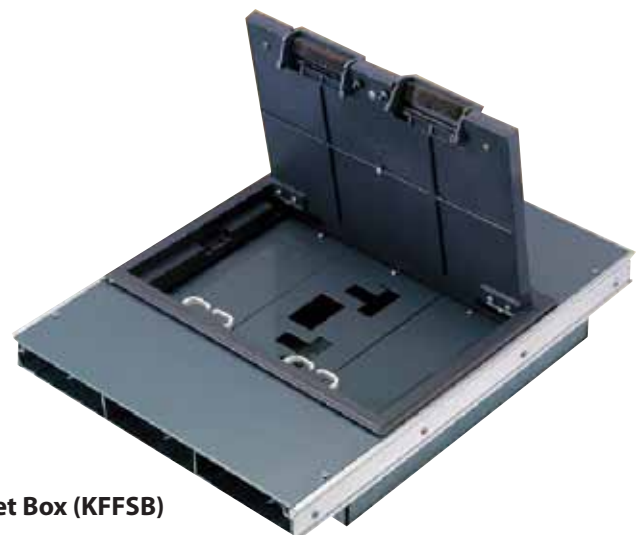


Flushfloor Normal Trunking

Model		Width	Compartment	Height	Body Thickness	Cover Thickness	Length (mm)	Finish
Normal	Aluminium Trim							
KTFF1	KTFFA1	225mm	2	32mm	1.5mm	1.5mm	3000	Pregalvanized, Hot dipped Galvanized, Epoxy Coated ,Stainless Steel & Aluminium
KTFF2	KTFFA2	225mm	2	40mm	1.5mm	1.5mm	3000	
KTFF3	KTFFA2	225mm	2	40mm	1.5mm	1.5mm	3000	
KTFF4	KTFFA4	300mm	2	32mm	1.5mm	1.5mm	3000	
KTFF5	KTFFA5	300mm	3	30mm	1.5mm	1.5mm	3000	
KTFF6	KTFFA6	300mm	2	50mm	1.5mm	1.5mm	3000	
KTFF7	KTFFA7	300mm	3	50mm	1.5mm	1.5mm	3000	
KTFF8	KTFFA8	300mm	2	58mm	1.5mm	1.5mm	3000	
KTFF9	KTFFA9	300mm	3	58mm	1.5mm	1.5mm	3000	
KTFF10	KTFFA10	300mm	2	65mm	1.5mm	2.5mm	3000	
KTFF11	KTFFA11	300mm	3	65mm	1.5mm	2.5mm	3000	
KTFF12	KTFFA12	400mm	2	50mm	1.5mm	2.5mm	3000	
KTFF13	KTFFA13	400mm	3	50mm	1.5mm	2.5mm	3000	
KTFF14	KTFFA14	400mm	2	58mm	1.5mm	1.5mm	3000	
KTFF15	KTFFA15	400mm	3	58mm	1.5mm	1.5mm	3000	
KTFF16	KTFFA16	400mm	2	65mm	1.5mm	1.5mm	3000	
KTFF17	KTFFA17	400mm	3	65mm	1.5mm	1.5mm	3000	
KTFF18	KTFFA18	500mm	3	58mm	1.5mm	1.5mm	3000	
KTFF19	KTFFA19	500mm	3	65mm	1.5mm	1.5mm	3000	
KTFF20	KTFFA20	600mm	3	58mm	1.5mm	1.5mm	3000	
KTFF21	KTFFA21	600mm	3	65mm	1.5mm	1.5mm	3000	

PG - Pregalvanized as per BSEN 10142 & BS 4678 Part I Type II (1971)
 HDG - Hot Dip Galvanized as per BS EN ISO1461/ 1999 (formerly BS729)
 SS36 - Stainless Steel GRADE 316L complying with BS EN 10088-2/2001
 SS34 - Stainless Steel GRADE 304
 EP - Epoxy Powder Coated in RAL Colours
 Al - Aluminium
 PC - PVC Coated

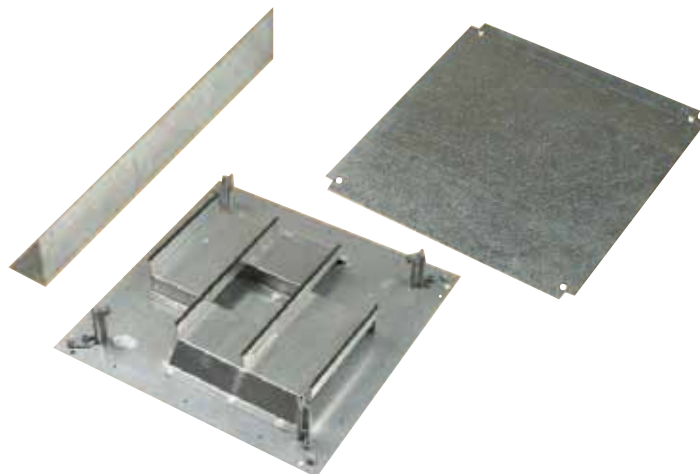
Note:
 Standard 2.44 Meters
 Standard Designated Length 406, 815, 1220, 1628, 2034mm



Service Outlet Box (KFFSB)


Junction Box Cross

Model	Size	Compartment
KFFJBC1	300W x (H)	2
KFFJBC2	300W x (H)	3
KFFJBC3	400W x (H)	3
KFFJBC4	500W x (H)	3
KFFJBC5	600W x (H)	3


Junction Box T

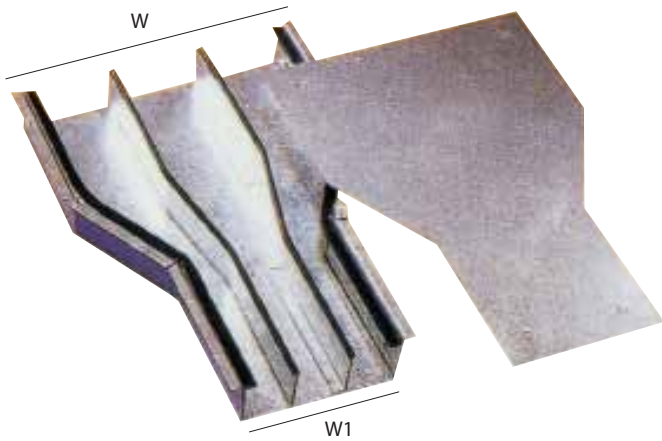
Model	Size	Compartment
KFFJBT1	300W x (H)	2
KFFJBT2	300W x (H)	3
KFFJBT3	400W x (H)	3
KFFJBT4	500W x (H)	3
KFFJBT5	600W x (H)	3


Junction Box Elbow

Model	Size	Compartment
KFFJBE1	300W x (H)	2
KFFJBE2	300W x (H)	3
KFFJBE3	400W x (H)	3
KFFJBE4	500W x (H)	3
KFFJBE5	600W x (H)	3


Verticle Access

Model	Size	Compartment
KFFVA1	300W x (H)	2
KFFVA2	300W x (H)	3
KFFVA3	400W x (H)	3
KFFVA4	500W x (H)	3
KFFVA5	600W x (H)	3



Reducer

Verticle Riser Bend			
Model	Size	Depth	Compartment
KFFR1	225W x (W1)	40/50/58/65	2/3
KFFR2	300W x (W1)	40/50/58/65	2/3
KFFR3	400W x (W1)	40/50/58/65	2/3
KFFR4	500W x (W1)	40/50/58/65	2/3
KFFR5	600W x (W1)	40/50/58/65	2/3



Blank End

Verticle Riser Bend			
Model	Size	Depth	Compartment
KFFBE1	225	40/50/58/65	2/3
KFFBE2	300	40/50/58/65	2/3
KFFBE3	400	40/50/58/65	2/3
KFFBE4	500	40/50/58/65	2/3
KFFBE5	600	40/50/58/65	2/3



Trunking Support Adjustable

Model	Size	
KFFSA1	225	
KFFSA2	300	
KFFSA3	400	



Trunking Support

Model	Size	
KFFS1	225	
KFFS2	300	
KFFS3	400	

Kruppsmetal Corporation Consists of these Products



KRUPPSSTRUT



KRUPPSFIBER



KRUPPSTRAY



KRUPPSTRUNKING



KRUPPSFLEX



KRUPPSENCLOSURE



KRUPPSLADDER



KRUPPSCONDUIT

Middle East Marketing Office:

Delta Group

Tel : +973 17280009 / 17280200

Fax : +973 17280449

Manama, Kingdom of Bahrain

E-mail: sales@deltaelectricals.com

Web: www.deltaelectricals.com

KRUPPSMETAL Corporation.

Barnet Street, Yarravilla, Victoria 3013
Australia.

Email: sales@kruppsmetal.net
www.kruppsmetal.net